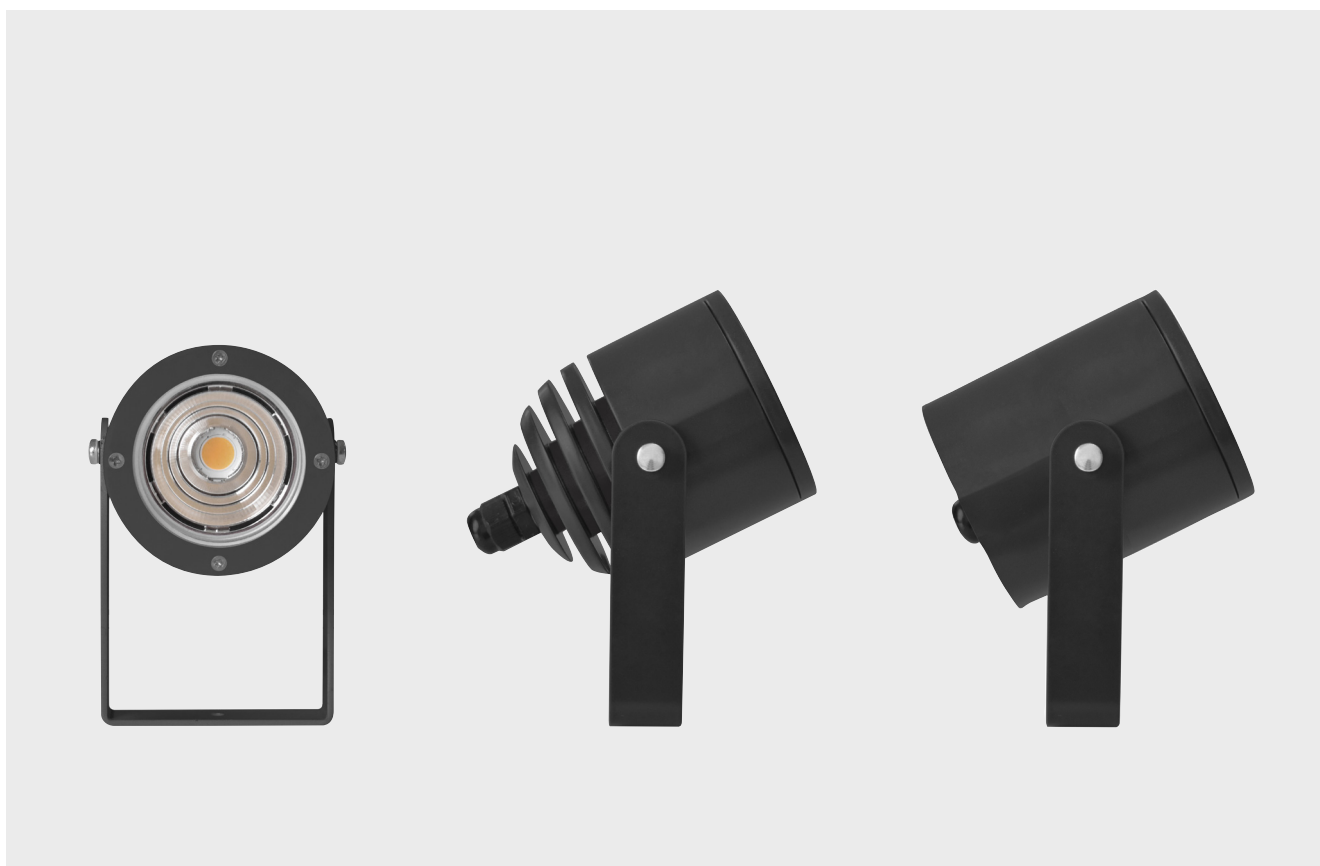


P65

CE IP66 CLIII 

#### Installation

Surface mounted projector, for indoor and outdoor installation.

The IP66 power supply box can be used as fixing base of the same projector.

#### Technical description

Body and front ring made of machined aluminum, natural or black anodized; painted with polyester powder also available.

Bracket made of laser cutted stainless steel. Finished as the body.

Front closure made of clear tempered glass.

High quality COB LED.

#### Electrical features

Class III device.

Remote power supply not included or integrated in the base box.

#### Source type

COB LED

#### Luminaire wattage

10W - 14.5W

#### Colour temperature

2700K - 3000K - 4000K

#### CRI

80 - on request 90

#### Beam

20° - 40° - 74°

#### Driver

Remoted

#### Input current

Max 500mA

#### Protection class

CLIII

#### IP rating

IP66

#### Weight

0,4 kg

#### Dimension

Ø 65 x l 92 x h 105



#### AP06501 - Ground Spike

Made of laser cutted stainless steel.

#### AP06502 - Tree Installation

Belt for installation on tree.

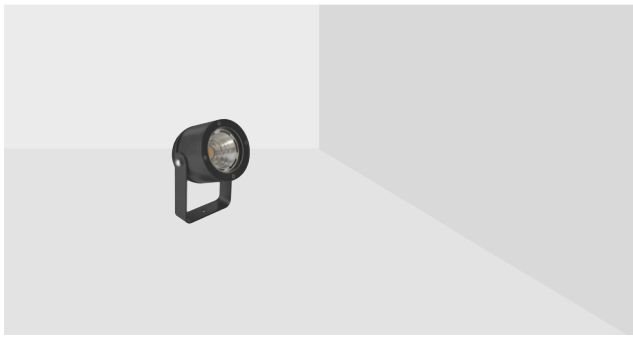


#### AP06503 - Driver and derivation box

Made of laser cutted steel, galvanized and powder painted.

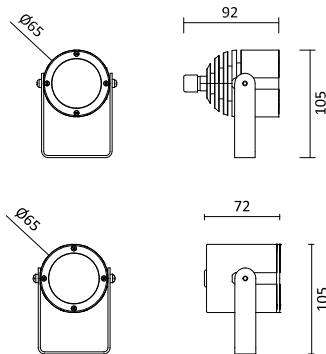
# P65 10W

CE IP66 CLIII 



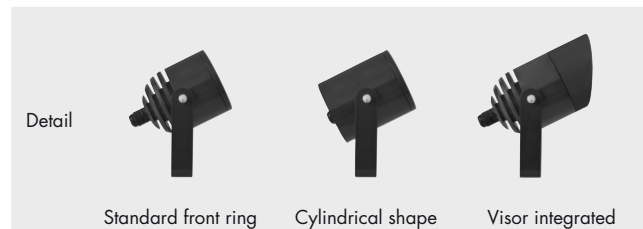
### Product codes

Code	W	Optic	Lm	K	CRI
AP065BS11Y	10	20°	1075	2700	80
AP065BS11W	10	20°	1120	3000	80
AP065BS11N	10	20°	1160	4000	80
AP065BS13Y	10	40°	1015	2700	80
AP065BS13W	10	40°	1060	3000	80
AP065BS13N	10	40°	1100	4000	80
AP065BS14Y	10	74°	1090	2700	80
AP065BS14W	10	74°	1135	3000	80
AP065BS14N	10	74°	1175	4000	80

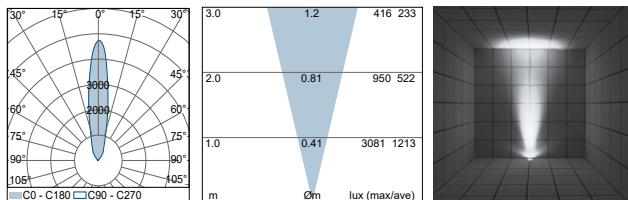


### + Front ring code

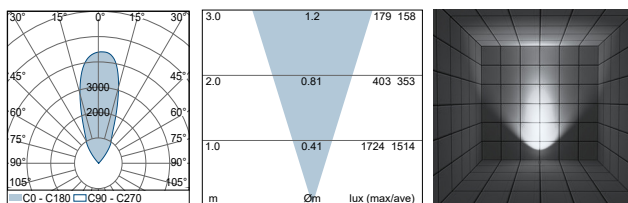
Code      STD                      CIL                      VIS



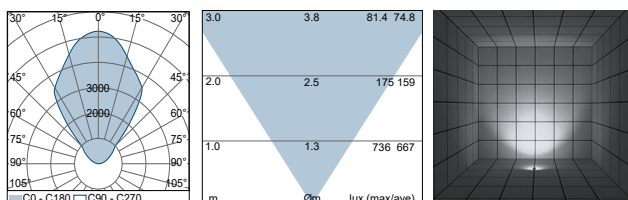
### 20° 10W



### 40° 10W



### 74° 10W



### + Finishing codes

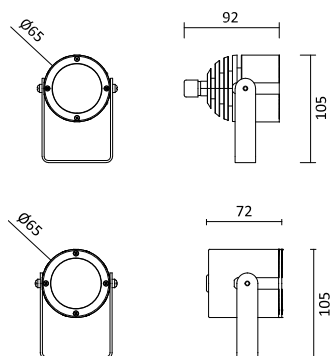
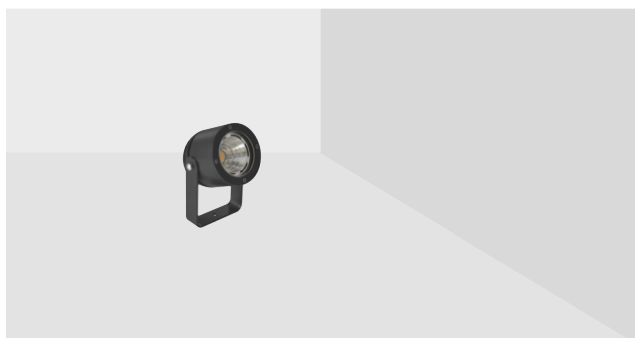
Code	Description
NA	Natural anodized aluminum
BA	Black anodized aluminum
GP	Grey RAL9006 powder painted
SP	Sable noir powder painted
WP	White powder painted

### + Power supply codes

Code	Power supply type
ST0350	Standard - 350 mA
DI0350	DIM1-10 - 350 mA
DA0350	DIM DALI - 350 mA

# P65 14.5W

CE IP66 CLIII

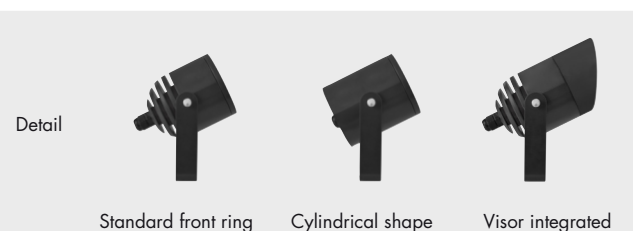


### Product codes

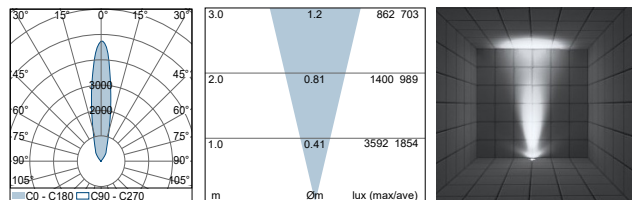
Code	W	Optic	Lm	K	CRI
AP065BS21Y	14.5	20°	1430	2700	80
AP065BS21W	14.5	20°	1490	3000	80
AP065BS21N	14.5	20°	1540	4000	80
AP065BS23Y	14.5	40°	1350	2700	80
AP065BS23W	14.5	40°	1405	3000	80
AP065BS23N	14.5	40°	1455	4000	80
AP065BS24Y	14.5	74°	1445	2700	80
AP065BS24W	14.5	74°	1505	3000	80
AP065BS24N	14.5	74°	1560	4000	80

### + Front ring code

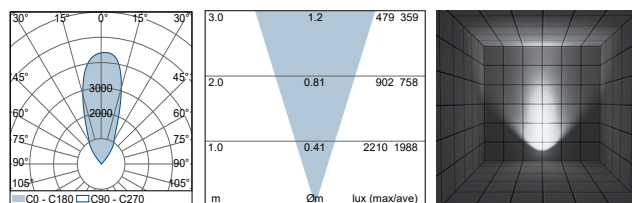
Code      STD                      CIL                      VIS



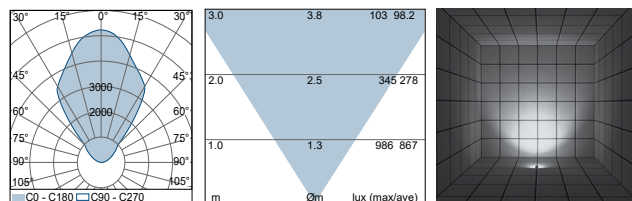
### 20° 14.5W



### 40° 14.5W



### 74° 14.5W



### + Finishing codes

Code	Description
NA	Natural anodized aluminum
BA	Black anodized aluminum
GP	Grey RAL9006 powder painted
SP	Sable noir powder painted
WP	White powder painted

### + Power supply codes

Code	Power supply type
ST0500	Standard - 500 mA
DI0500	DIM1-10 - 500 mA
DA0500	DIM DALI - 500 mA