


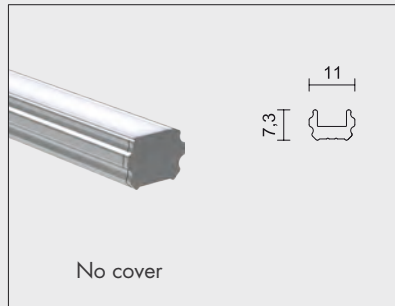
# Fast Series

CE IP20/40/65/68 CLIII 

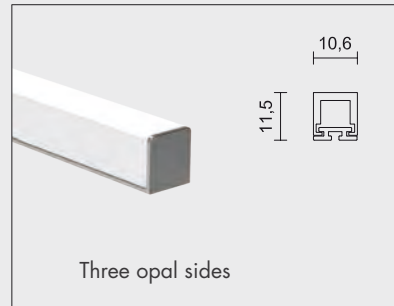


## SURFACE INDOOR/OUTDOOR/RESINED IP68 DRIVER OUT

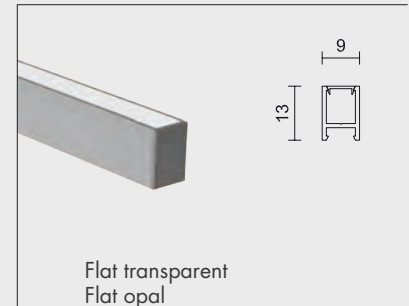
FAST L1



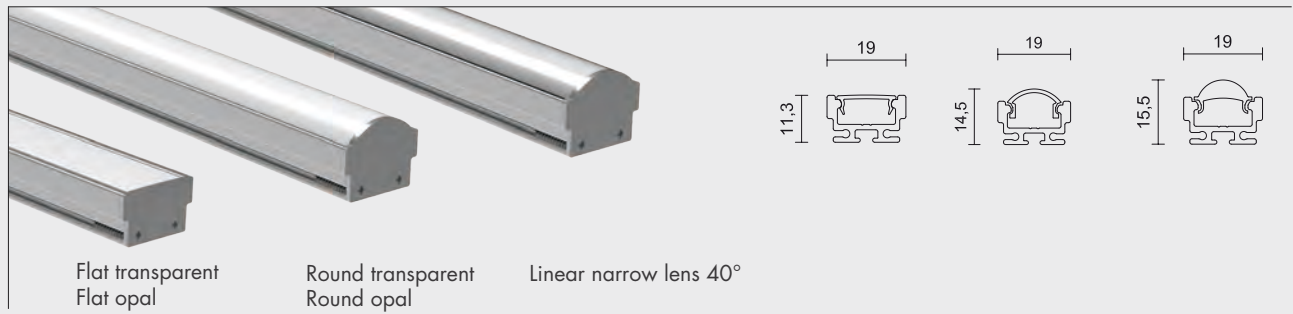
FAST L2



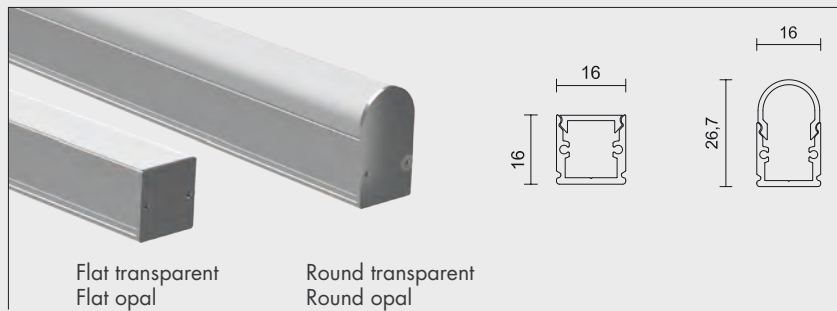
FAST L3



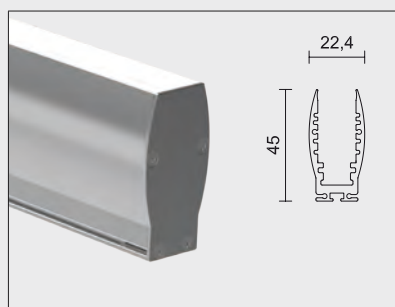
FAST L4



FAST L5



FAST L6



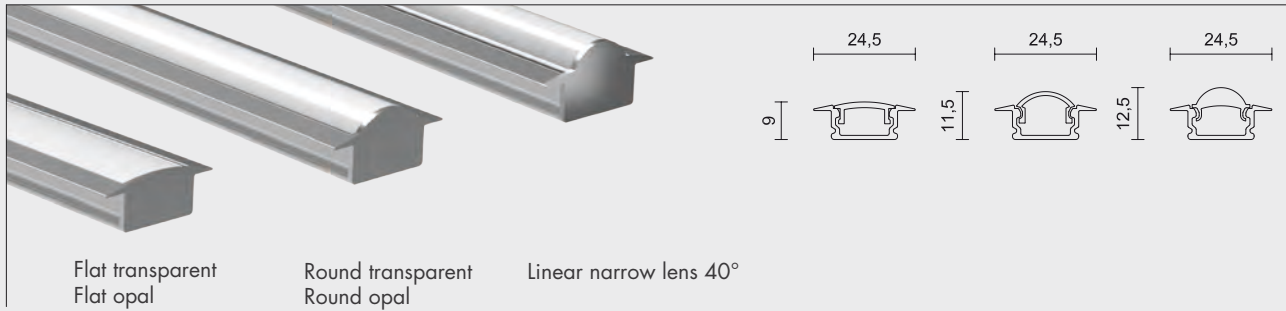
Fast Series

CE IP20/40/65/68 CLIII 

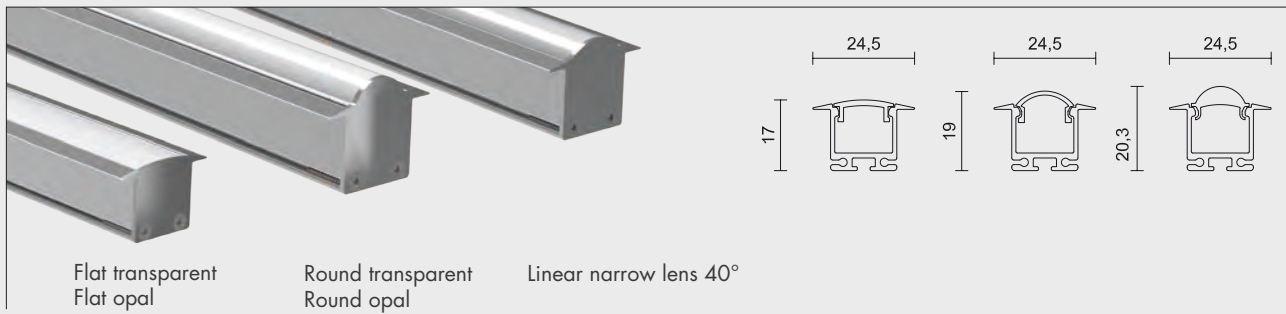


**RECESSED INDOOR/OUTDOOR/RESINED IP68 DRIVER OUT**

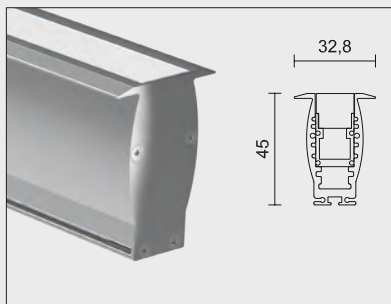
FAST R1



FAST R2

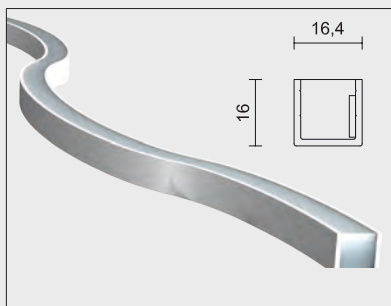


FAST R3

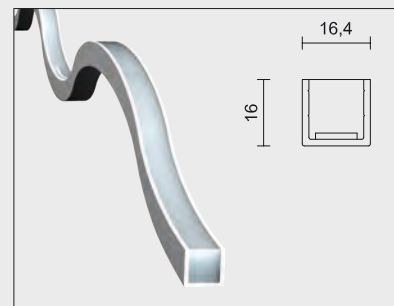


**FLEXIBLE RESINED IP68 DRIVER OUT**

FAST F1



FAST F2



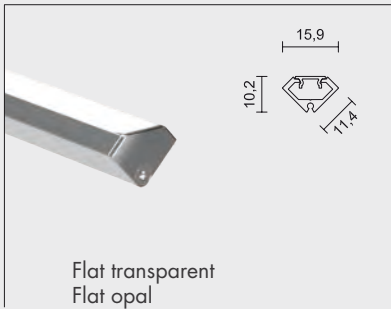
### Fast Series

CE IP20/40/65/68 CLIII 



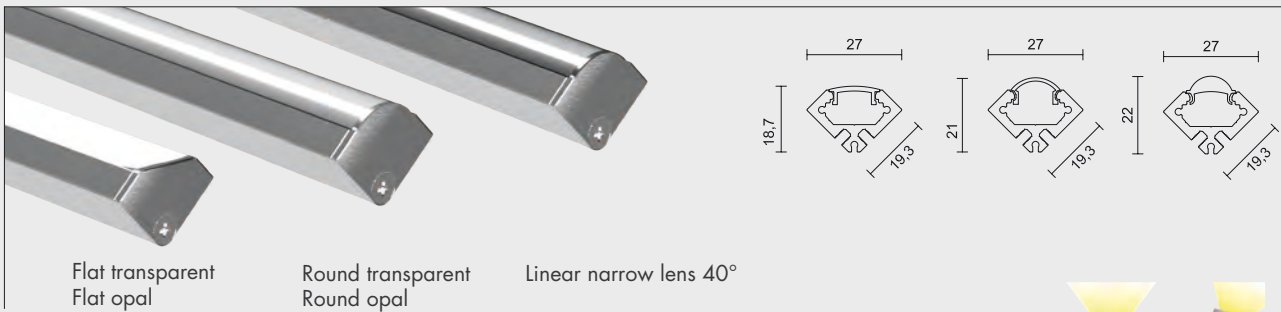
## ANGULAR INDOOR/OUTDOOR/RESINED IP68 DRIVER OUT

FAST A1



Flat transparent  
Flat opal

FAST A2



Flat transparent  
Flat opal

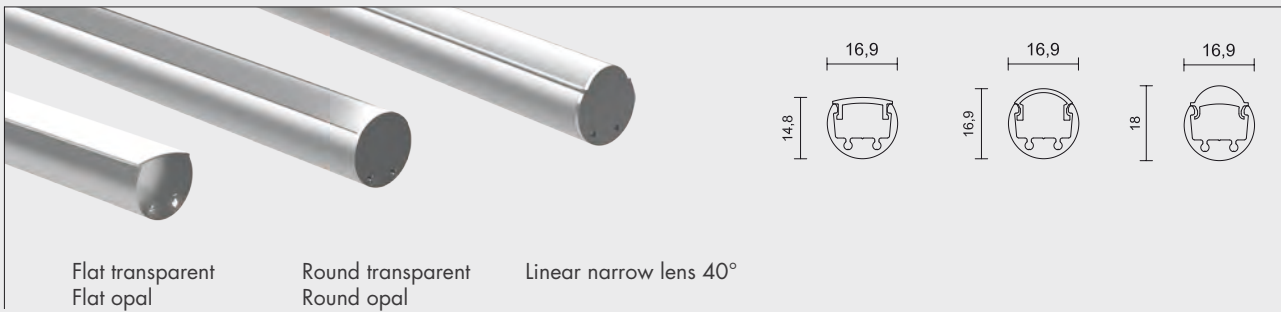
Round transparent  
Round opal

Linear narrow lens 40°



## CIRCULAR SHAPE INDOOR/OUTDOOR/RESINED IP68 DRIVER OUT

FAST C1

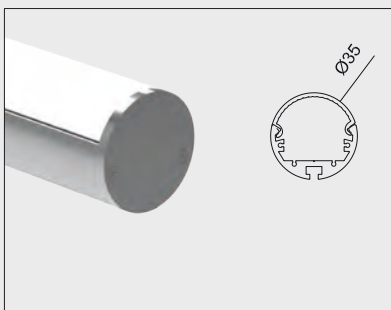


Flat transparent  
Flat opal

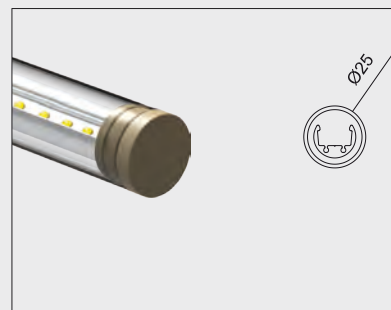
Round transparent  
Round opal

Linear narrow lens 40°


FAST C2



FAST C3



## Fast Series

CE IP20/40/65/68 CLIII 

### Installation

Wide range of surface, recessed, suspended and corner mounted for indoor and outdoor installation.

### Technical description

Body made of extruded aluminum anodized or painted with polyester powder.  
 Also available flexible profile FAST108 in polyurethane.  
 The surface finishes we propose always guarantee a high aesthetic quality and when outdoor installed they grant and certify a long durability even in aggressive ambient conditions: 20µm anodization or qualicoat certified powder painting.  
 Standard colour are proposed or other RAL colour on request.  
 End-caps made of aluminum sheet laser cutted and finished as the body.  
 Stainless steel screws. Stainless steel or plastic springs when requested as fixing accessories.  
 All fixing accessories are included for each version.

### Electrical features

High efficient Mid-power LED on flexible PCB or rigid PCB when requested.  
 Remote driver ON/OFF, DALI or 1-10V dimmable; DMX driver for colour changing versions. Drivers are always included in the product code.  
 Class I/II luminaire

### Optical features

Aluminum profile are provided with a cover that can be flat transparent, flat opal, rounded opal and lens linear.

### Resin coating

The LED system is also proposed encapsuled in a poliuretane resin providing an IP68 degree of protection.  
 The selected resin have high resistance to atmospheric and chemical agents complying to the most important tests: Florida Test, Arizona Test, Xenon, WOM, Weatherometer QUV-B and Weatherometer QUV-A, Fuel Resistance, Acid Resistance, Solvent Resistance, Water Immersion, No yellow viration with Water Immersion at 70 ° C, Salt Spray Resistance, Humidity Resistance, Environmental Cycle, Heat Resistance, High temperature Resistance, Thermal Shock, Stone Chip Resistance, Flammability Resistance, Surface Resistivity, Volume Resistivity.

**ORIGINAL SOLUTION**



Fixing accessories for FAST C2 as closet lighting.

### FAST CHARACTERIZATION

|                            |  |
|----------------------------|--|
| Driver                     | Remote and suitable dimensione. IP20 or IP67.    |
| Input current              | 24V DC   |
| Protection class           | CLIII  |
| IP rating                  | IP20/IP40/IP65/IP68                              |
| Dimension                  | L 3000max  |
| Source type                | Mid-power LEDs                                   |
| Colour temperature, colour | 2700K - 3000K - 4000K<br>RGB, RGBW, DynW, DynWW  |
| CRI                        | 90 for white LEDs                                |
| Optics                     | Transparent, opal diffusing, elliptical 40°X120° |

### Nominal power consumption and lumen - White LED

| Output level                     | W/m | Lm/m | K         |
|----------------------------------|-----|------|-----------|
| Level 1M                         | 5   | 570  | 2700      |
|                                  |     | 600  | 3000/4000 |
| Level 2M                         | 10  | 1235 | 2700      |
|                                  |     | 1300 | 3000/4000 |
| Level 3M                         | 18  | 1900 | 2700      |
|                                  |     | 2000 | 3000/4000 |
| Level 4M                         | 24  | 2660 | 2700      |
|                                  |     | 2800 | 3000/4000 |
| Level 5M<br>(Only for rigid PCB) | 30  | 3325 | 2700      |
|                                  |     | 3500 | 3000/4000 |
| Level 6M<br>(Only for rigid PCB) | 36  | 3895 | 2700      |
|                                  |     | 4100 | 3000/4000 |

### Nominal power consumption - Colour Changing

| Output level | W/m | K     |
|--------------|-----|-------|
| Level 1C     | 15  | RGB   |
|              |     | DynW  |
|              |     | DynWW |
| Level 2C     | 20  | RGB   |
|              |     | RGBW  |
| Level 3C     | 30  | DynW  |
|              |     | DynWW |

### Fixing clips always included



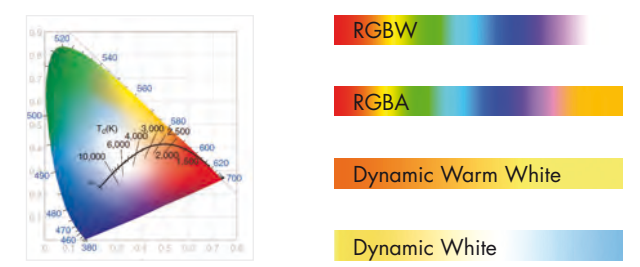
# Fast Series

CE IP20/40/65/68 CLIII

|              |                 |                        |             |              |        |        |        |
|--------------|-----------------|------------------------|-------------|--------------|--------|--------|--------|
| Product code | Casting / cover | CCT OR colour changing | LED density | Output level | Lenght | Finish | Driver |
| AFSL1        |                 |                        |             |              |        |        |        |

| Product codes |  |         |
|---------------|--|---------|
| Code          | Description                                | Picture |
| FSL1          | FAST L1, Surface mounted system*           |         |
| FSL2          | FAST L2, Surface mounted system*           |         |
| FSL3          | FAST L3, Surface mounted system*           |         |
| FSL4          | FAST L4, Surface mounted system*           |         |
| FSL5          | FAST L5, Surface mounted system*           |         |
| FSL6          | FAST L6, Surface mounted system*           |         |
| FSR1          | FAST R1, Recessed system                   |         |
| FSR2          | FAST R2, Recessed system                   |         |
| FSR3          | FAST R3, Recessed system                   |         |
| FSF1          | FAST F1, Flexible sys. longitud. twisting  |         |
| FSF2          | FAST F2, Flexible sys. trasversal twisting |         |
| FSA1          | FAST A1, Angular system                    |         |
| FSA2          | FAST A2, Angular system                    |         |
| FSC1          | FAST C1, Circular section system           |         |
| FSC2          | FAST C2, Circular section system           |         |
| FSC3          | FAST C3, Circular section system           |         |

| + Casting/cover codes |      |                    |                 |         |      |        |             | ORIGINAL SOLUTION |
|-----------------------|------|--------------------|-----------------|---------|------|--------|-------------|-------------------|
|                       | Nude | IP68 Resin transp. | IP68 Resin opal | Transp. | Opal | Curved | Linear lens |                   |
| FSL1                  | NU   | RT                 | RO              |         |      |        |             |                   |
| FSL2                  | NU   | RT                 | RO              |         | CO   |        |             |                   |
| FSL3                  | NU   | RT                 | RO              | CT      | CO   |        |             |                   |
| FSL4                  | NU   | RT                 | RO              | CT      | CO   | CC     | CL          |                   |
| FSL5                  | NU   | RT                 | RO              | CT      | CO   | CC     |             |                   |
| FSL6                  | NU   | RT                 | RO              |         | CO   |        |             |                   |
| FSR1                  | NU   | RT                 | RO              | CT      | CO   | CC     | CL          |                   |
| FSR2                  | NU   | RT                 | RO              | CT      | CO   | CC     | CL          |                   |
| FSR3                  | NU   | RT                 | RO              |         | CO   |        |             |                   |
| FSF1                  |      | RT                 | RO              |         |      |        |             |                   |
| FSF2                  |      | RT                 | RO              |         |      |        |             |                   |
| FSA1                  | NU   | RT                 | RO              | CT      | CO   |        |             |                   |
| FSA2                  | NU   | RT                 | RO              | CT      | CO   | CC     | CL          |                   |
| FSC1                  | NU   | RT                 | RO              | CT      | CO   | CC     | CL          |                   |
| FSC2                  |      |                    |                 | CT      | CO   |        |             |                   |
| FSC3                  | NU   |                    |                 | CT*     | CO*  |        |             |                   |



| + Colour temperature OR colour changing codes |          |
|---|----------|
| Code  | Descrip. |
| K   | 2300K    |
| Y   | 2700K    |
| W   | 3000K    |
| N   | 4000K    |
| R   | RGB      |
| S   | RGBW     |
| D   | DynW     |
| E   | DynWW    |

| + LED density codes for monochromatic version |       |              |                |          |
|---|-------|--------------|----------------|----------|
| Code  | LED/m | LED pitch mm | PCB cutting mm | PCB type |
| FM070   | 70    | 14,3         | 100            | Flex     |
| FM140   | 140   | 7,1          | 50             | Flex     |
| FM196   | 196   | 5,1          | 36             | Flex     |
| DM112   | 112   | 8,9          | 63             | Rigid    |

| OR + LED density codes for colour changing version |       |              |                |             |
|--|-------|--------------|----------------|-------------|
| Code   | LED/m | LED pitch mm | PCB cutting mm | LED         |
| FC096  | 70    | 14,3         | 100            | RGBW        |
| FC120  | 120   | 8,9          | 63             | RGB         |
| FC198  | 198   | 7,1          | 50             | DynW, DynWW |
| FC240  | 240   | 5,1          | 36             | DynW, DynWW |

**Fast Series**

**CE IP20/40/65/68 CLIII** 

| Product code | Casting / cover | CCT OR colour changing | LED density | Output level | Lenght | Finish | Driver |
|--------------|-----------------|------------------------|-------------|--------------|--------|--------|--------|
| AFSL1        |                 |                        |             |              |        |        |        |

**+ W/m codes for monochromtic version**

| Code | Description      | D070 | D112 | D140 | D196 |
|------|------------------|------|------|------|------|
| W05  | Level 1M - 5W/m  | X    | X    | X    |      |
| W10  | Level 2M - 10W/m | X    | X    | X    | X    |
| W18  | Level 3M - 18W/m |      | X    | X    | X    |
| W24  | Level 4M - 24W/m |      | X    |      | X    |
| W30  | Level 5M - 30W/m |      | X    |      |      |
| W36  | Level 6M - 36W/m |      | X    |      |      |

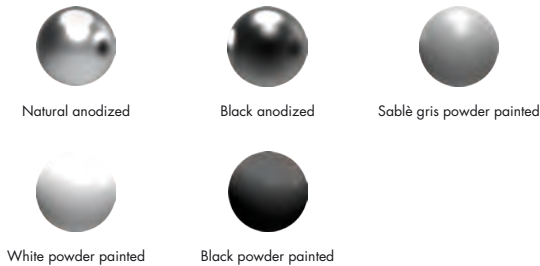
**OR + W/m codes for colour changing version**

| Code | Description     | F096 | F120 | F198 | F240 |
|------|-----------------|------|------|------|------|
| C15  | Level 1M - 5W/m |      | X    | X    |      |
| C20  | Level 2M - 5W/m | X    | X    |      |      |
| C30  | Level 3M - 5W/m |      |      |      | X    |

**+ Lenght codes**

Example for lenght code composition: L + 0100 = L0100 = 100mm+4mm(end caps) = 104mm

| Code | FM070  | FM140  | FM196  | FM112  | FC096  | FC120  | FC198  | FC240  |
|------|--------|--------|--------|--------|--------|--------|--------|--------|
| L +  | 0100   | 0050   | 0036   | 0063   | 0063   | 0050   | 0060   | 0050   |
| L +  | 0200   | 0100   | 0072   | 0126   | 0126   | 0100   | 0120   | 0100   |
| L +  | 0300   | 0150   | 0108   | 0189   | 0189   | 0150   | 0180   | 0150   |
| L +  | 0400   | 0200   | 0144   | 0252   | 0252   | 0200   | 0240   | 0200   |
| L +  | + 0100 | + 0050 | + 0036 | + 0063 | + 0063 | + 0050 | + 0060 | + 0050 |
| ...  | ...    | ...    | ...    | ...    | ...    | ...    | ...    | ...    |
| L +  | 3000   | 3000   | 3024   | 3024   | 3024   | 3000   | 3000   | 3000   |



**+ Finishing codes**

| Code | Description               |
|------|---------------------------|
| NA   | Natural anodized aluminum |
| BA   | Black anodized aluminum   |
| SP   | Sable gris powder painted |
| WP   | White powder painted      |
| BP   | Black powder painted      |



**+ Driver codes**

| Code | Description    |
|------|----------------|
| ST1  | Standard CL I  |
| ST2  | Standard CL II |
| DI1  | DIM1-10 CL I   |
| DI2  | DIM1-10 CL II  |
| DA2  | DIM DALI CL II |
| DX2  | DMX CL II      |