

JAMAICA D

CE IP68 CLIII 

Installation

Decorative luminaire, for underwater installation in such a way that the bamboo pipes are partially submerged. A typical installation can be in an artificial or natural water basin.

Technical description

Body made of natural bamboo machined with special carpentry tools finished with a wood liquid paint and with a second transparent protective layer.

Supporting table made of stainless steel AISI 316L elements; the horizontal plate is painted with polyester powder water resistant.

Stainless steel projectors recessed in the bamboo pipes in order to provide an emotional lighting of the inner side of the same bamboo.

High quality LED.

Electrical features

Class III device.

Remoted power supply.

Source Type

Luminaire wattage

Colour temperature

CRI

Beam

Driver

Input

Protection class

IP rating

Weight

Dimensions Jamaica D1

Dimensions Jamaica D2

Dimensions Jamaica D3

Power LED

2,1W for each projector

Amber - 2700K - 3000K

80

Diffuse

Remoted

700mA

CLIII

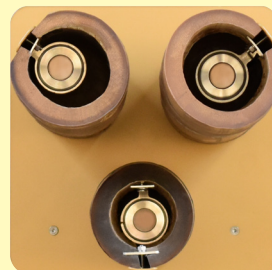
IP68

8/11/14 kg

h 1282 x l 190 x d 190

h 1282 x l 290 x d 200

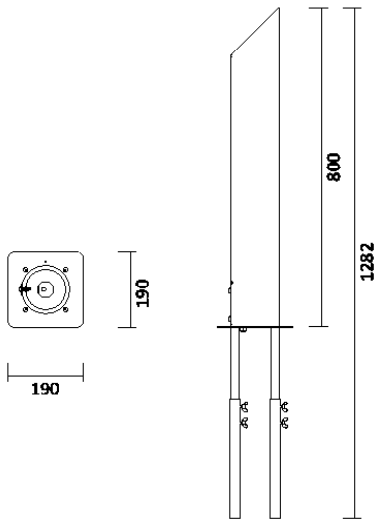
h 1282 x l 290 x d 290



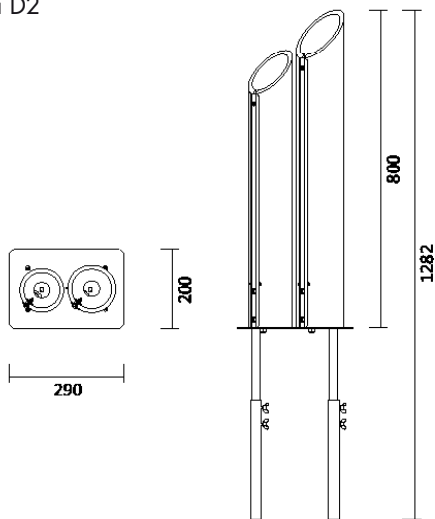
JAMAICA D

CE IP68 CLIII 

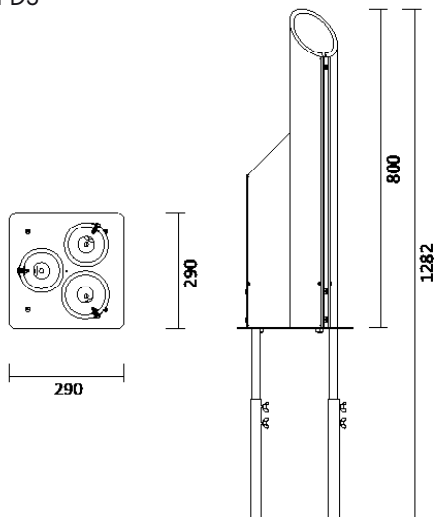
Jamaica D1



Jamaica D2



Jamaica D3



Product Codes

Code	W	Optic	Lm	K	CRI
CJAMAICD1A	2.1	Diffuse	100	Amber	/
CJAMAICD1Y	2.1	Diffuse	135	2700	80
CJAMAICD1W	2.1	Diffuse	145	3000	80
CJAMAICD2A	4.2	Diffuse	195	Amber	/
CJAMAICD2Y	4.2	Diffuse	275	2700	80
CJAMAICD2W	4.2	Diffuse	295	3000	80
CJAMAICD3A	6.3	Diffuse	295	Amber	/
CJAMAICD3Y	6.3	Diffuse	410	2700	80
CJAMAICD3W	6.3	Diffuse	440	3000	80

+ Finishing codes

Code	Description
BL	Natural brown liquid painting
CL	Custom colour liquid painting

+ Power supply codes

Code	Power supply type
ST0700	Standard - 24V
DIM0700	DIM1-10 - 24V

