

JAMAICA A

CE IP66 CLI 

Installation

Wall mounted decorative luminaire, for indoor and outdoor installation.

Technical description

Body made of natural bamboo machined with special carpentry tools finished with a wood liquid paint and with a second transparent protective layer.

Polycarbonate diffuser.

IP66 lighting system made of an aluminum profile with a polyurethane casted linear PCB to guarantee a high level of protection.

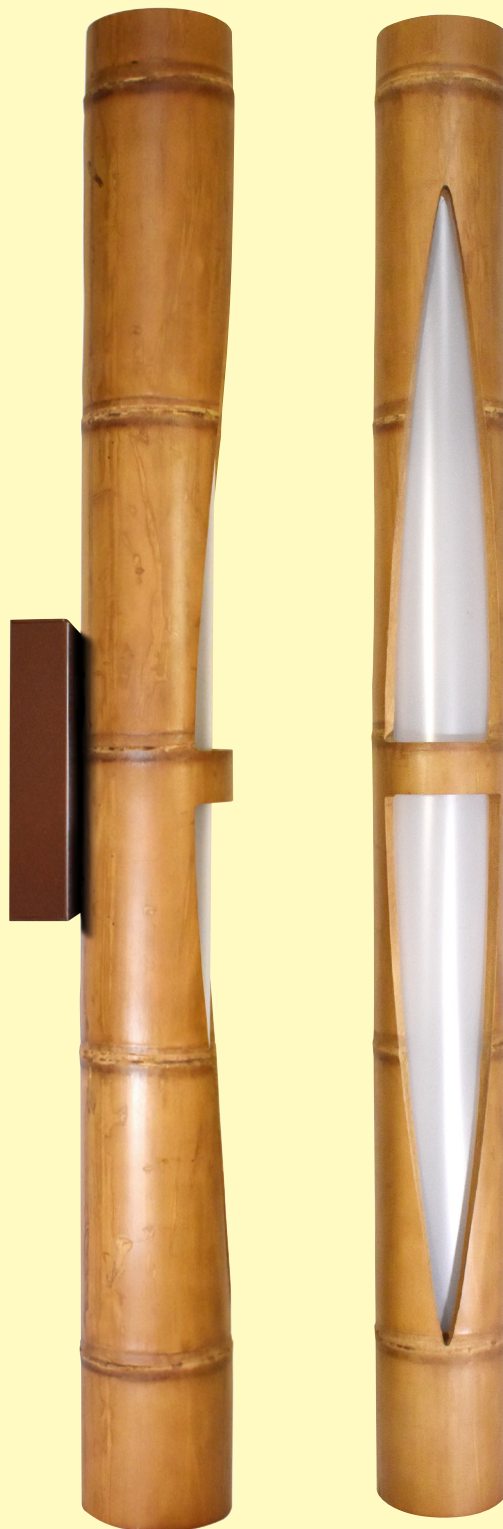
Fixing system and power supply box made of laser cutted steel sheet galvanized and painted with polyester powder. High quality LED.

Electrical features

Class I device.

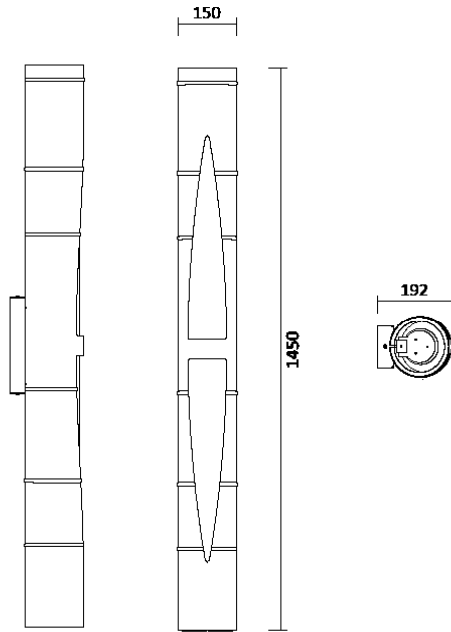
Integrated power supply.

Source Type	Mid-power LED
Luminaire wattage	12W
Colour temperature	2700K - 3000K - 4000K
CRI	80
Beam	Diffuse
Driver	Integrated
Input	220-240V 50/60Hz
Protection class	CLI
IP rating	IP66
Weight	7 kg
Dimensions	h 1450 x l 150 x d 192



JAMAICA A

CE IP66 CLI 



Bamboo diameter can vary in order to provide the best selection of the natural material.

Product codes

Code	W	Optic	Lm	K	CRI
CJAMAICA1Y	12	Diffuse	720	2700	80
CJAMAICA1W	12	Diffuse	825	3000	80
CJAMAICA1N	12	Diffuse	936	4000	80

+ Finishing codes

Code	Description
BL	Natural brown liquid painting
CL	Custom colour liquid painting

+ Power supply codes

Code	Power supply type
ST0024	Standard - 24V
DI0024	DIM1-10 - 24V
DA0024	DIM DALI - 24V



Jamaica A / Lapita Hotel, Dubai