

EXTRA

CE IP20 CLIII 

#### Installation

Table and wall LED luminaire with an attractive and functional design. Thanks to a triple junction and an axial rotation of the terminals joints, an extreme flexibility in positioning and orientation of the lighting window is provided. ON/OFF and dimming switch is positioned on the end of the lighting segment.

#### Technical description

Luminaire segments are made with anodized aluminum profiles with square section. Joints made of injection molded plastic characterized by absence of wires. Table base made with a circular steel base painted with polyester powder black or RAL 9006; wall fixing made of machined and anodized aluminum; both systems ensure the rotation on the vertical axis. Linear PCB with mid-power LED and with an integrated dimming system through a push button. Front diffuser made of satin polycarbonate for a better visual comfort. High quality LED.

#### Electrical features

Class III device.  
Remote power supply included and on the feeding cable as wall plug.

|                    |                       |
|--------------------|-----------------------|
| Source type        | Mid-power LED         |
| Luminaire wattage  | 6W - 11W              |
| Colour temperature | 2700K - 3000K - 4000K |
| CRI                | 80 - on request 90    |
| Beam               | Diffuse               |
| Driver             | Remote on plug        |
| Input              | 24V                   |
| Protection class   | CLIII                 |
| IP rating          | IP20                  |
| Weight             | 1,2 kg                |
| Dimensions open    | H 380 x l 722 x d 15  |
| Dimensions close   | H 380 x l 55 x d 15   |



#### AEXTRAT001 - Table base

Steel plate table base painted with polyester powder black colour.



#### AEXTRAW001 - Wall fixing system

Accessory for wall mounting made of machined aluminum with same finish of the luminaire.

#### Included with product

External power supply on plug. Input 220-240V 50/60Hz, output 24V.

**Product codes - Extra Table**

| Code       | W  | Optic   | Lm   | K    | CRI |
|------------|----|---------|------|------|-----|
| CEXTRAT11Y | 6  | Diffuse | 650  | 2700 | 80  |
| CEXTRAT11W | 6  | Diffuse | 675  | 3000 | 80  |
| CEXTRAT11N | 6  | Diffuse | 700  | 4000 | 80  |
| CEXTRAT21Y | 11 | Diffuse | 1100 | 2700 | 80  |
| CEXTRAT21W | 11 | Diffuse | 1150 | 3000 | 80  |
| CEXTRAT21N | 11 | Diffuse | 1200 | 4000 | 80  |

**Product codes - Extra Wall**

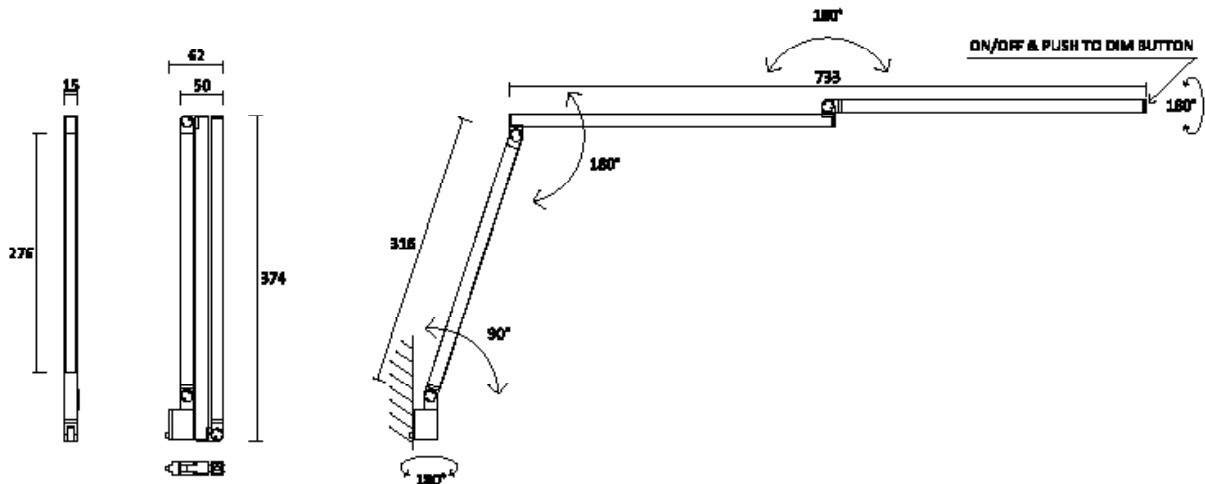
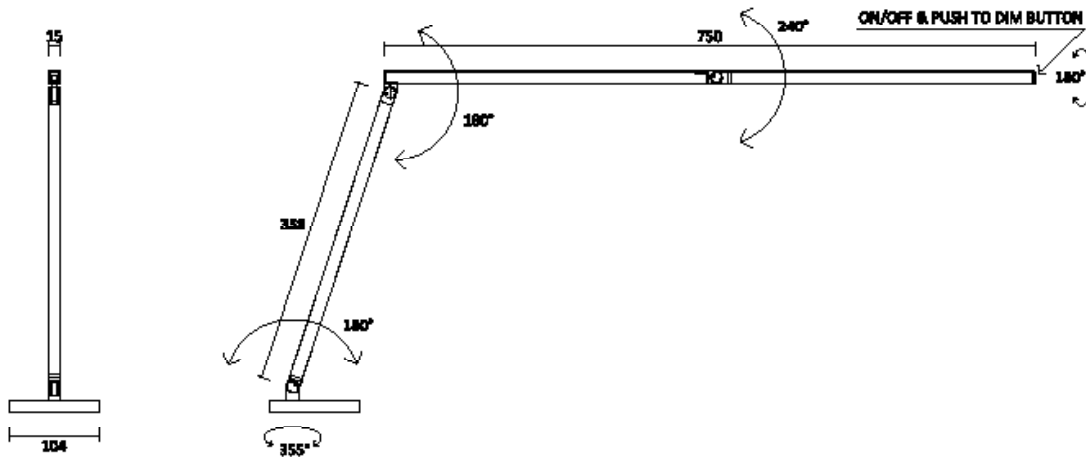
| Code       | W  | Optic   | Lm   | K    | CRI |
|------------|----|---------|------|------|-----|
| CEXTRAW11Y | 6  | Diffuse | 650  | 2700 | 80  |
| CEXTRAW11W | 6  | Diffuse | 675  | 3000 | 80  |
| CEXTRAW11N | 6  | Diffuse | 700  | 4000 | 80  |
| CEXTRAW21Y | 11 | Diffuse | 1100 | 2700 | 80  |
| CEXTRAW21W | 11 | Diffuse | 1150 | 3000 | 80  |
| CEXTRAW21N | 11 | Diffuse | 1200 | 4000 | 80  |

**+ Finishing codes**

| Code | Description                  |
|------|------------------------------|
| NA   | Natural grey anodized        |
| BA   | Black anodized               |
| CP   | Custom colour powder painted |

**+ Power supply codes**

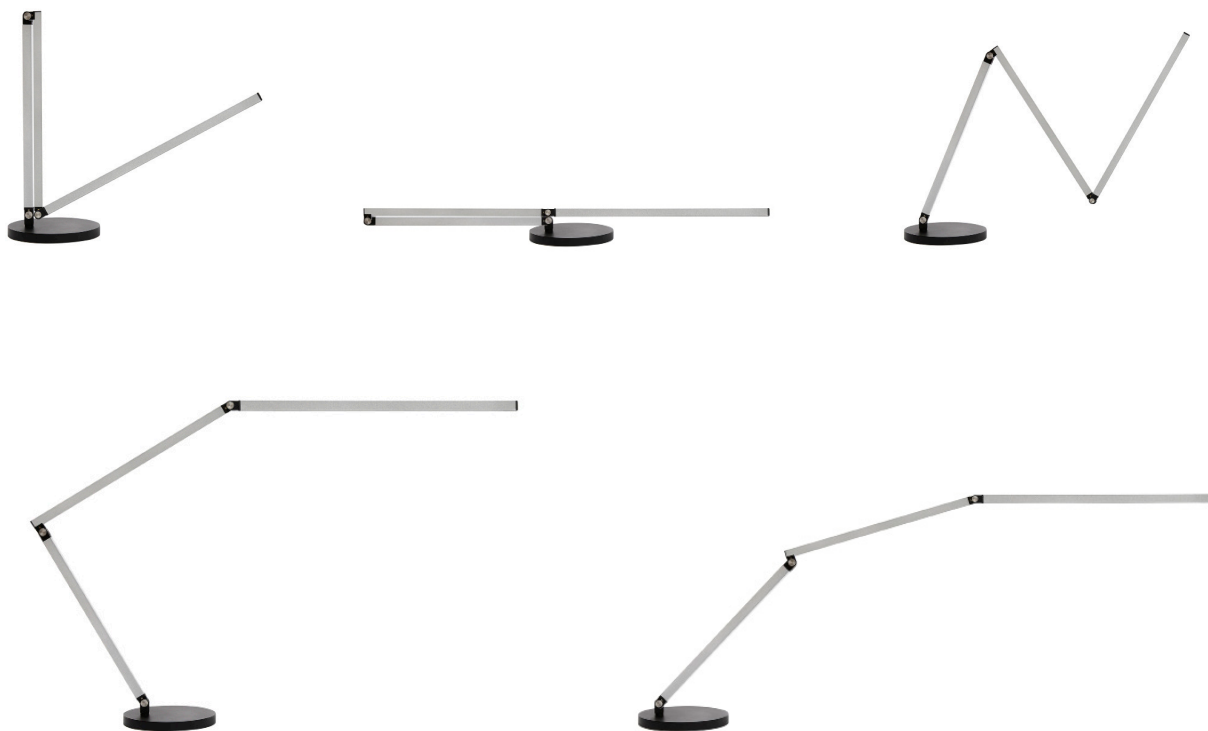
| Code   | Power supply type |
|--------|-------------------|
| ST0024 | Standard - 24V    |
| DI0024 | DIM1-10 - 24V     |



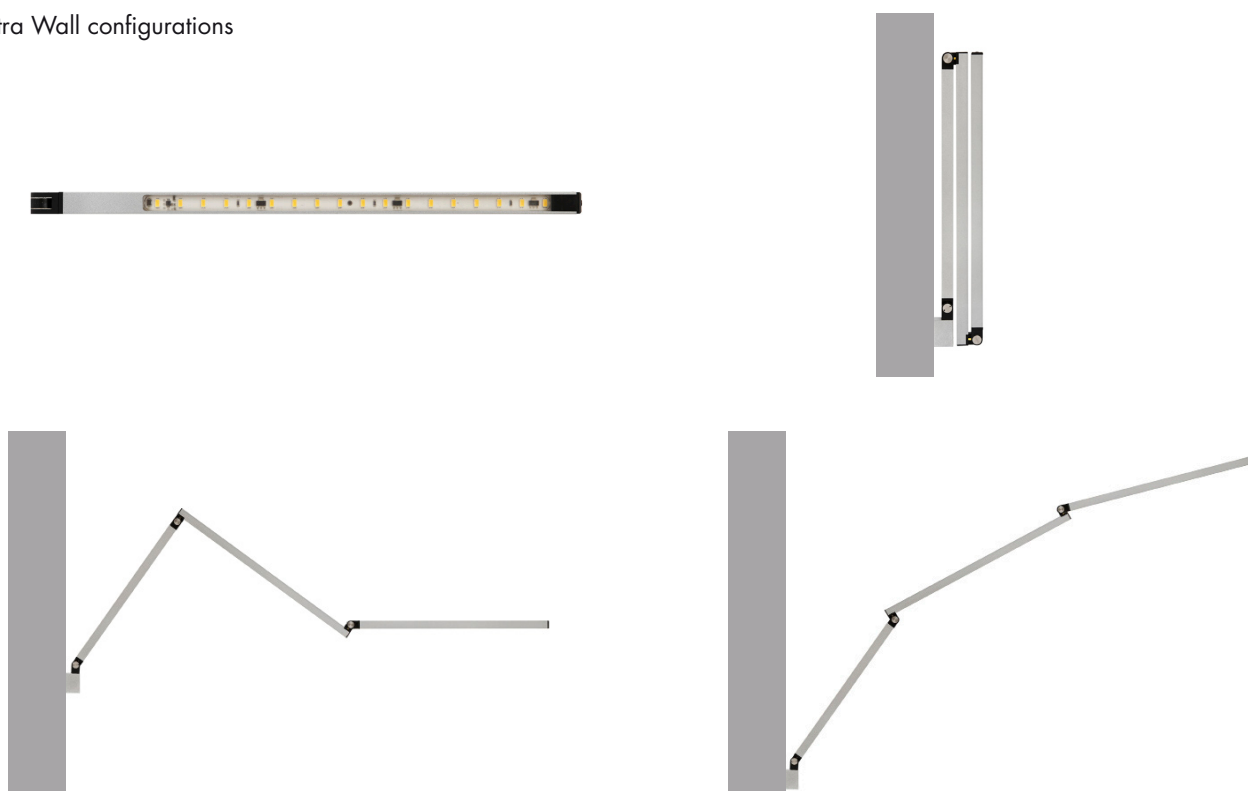
# EXTRA

CE IP20 CLII 

## Extra Table configurations



## Extra Wall configurations





Extra / New York University, Abu Dhabi