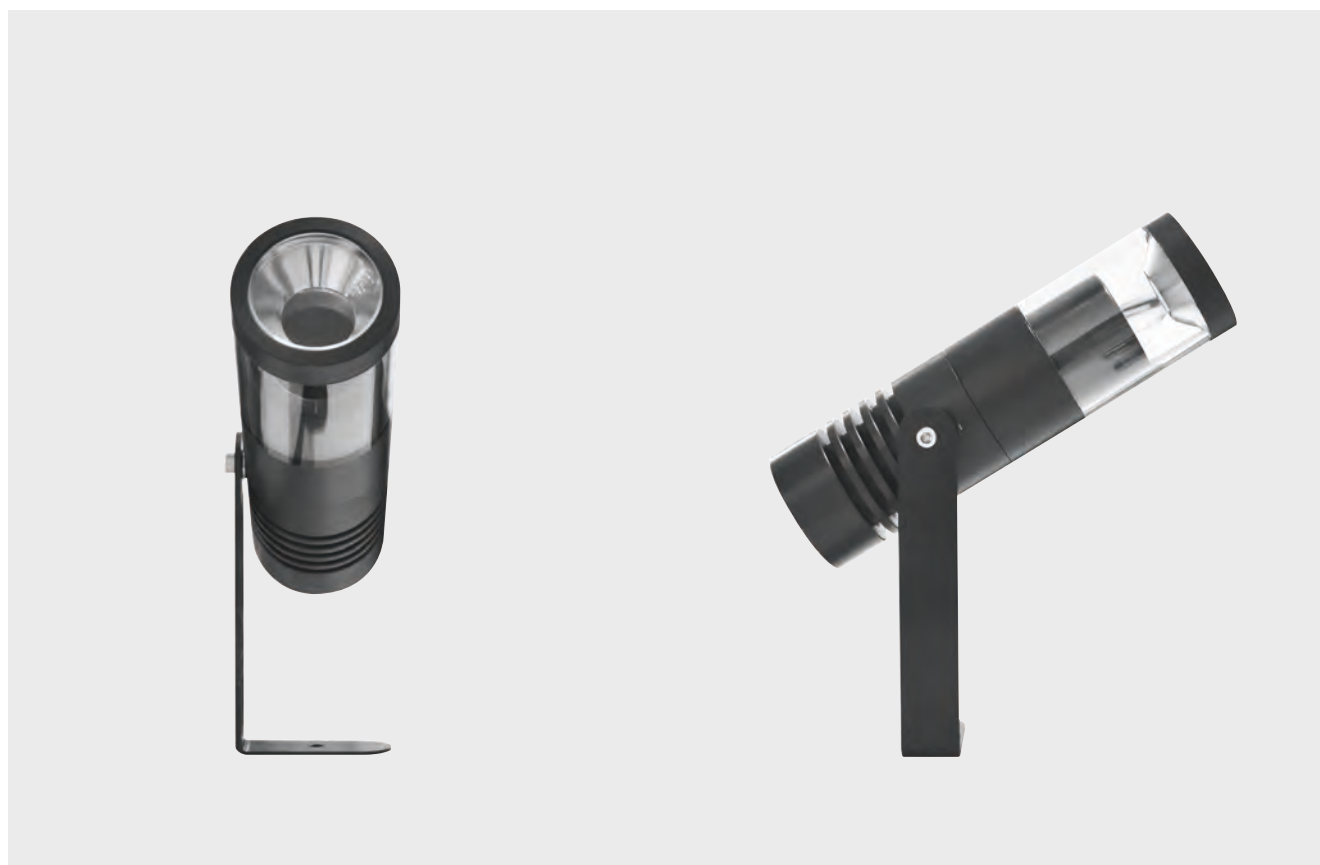


PENGUIN

CE IP66 CLIII 



Installation

Surface mounted projector for outdoor installation.

Technical Description

Body made of machined aluminum, black or natural anodized or painted with polyester powder.
Front closure made of extra clear tempered glass.
Bracket made of laser cutted stainless steel, finished as the body.
High quality COB LED.

Electrical features

Remoted power supply.
Class III device.

Optical features

Penguin is characterized by a double emission: i.e. ground installed the central beam lights a vertical target as a tree, the lateral emission lights the surrounding horizontal surface.



Source type

COB LED

Luminaire wattage

10W - 14.5W

Colour temperature

2700K - 3000K - 4000K

CRI

80 - on request 90

Beam

20° + lateral emission

Driver

Remoted

Input current

Max 500 mA

Protection class

CLIII

IP rating

IP66

Weight

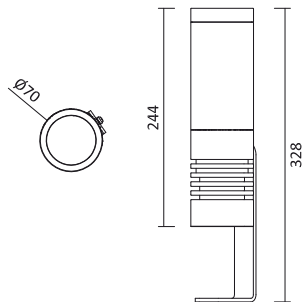
0.95 kg

Dimension

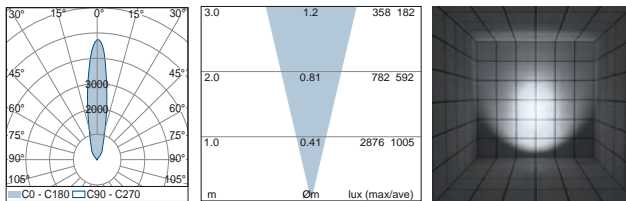
Ø 70 x l 328

PENGUIN 10W

CE IP66 CLIII 



20° 10W



Product codes

| Code | W | Optic | Lm | K | CRI |
|------------|----|-------|------|------|-----|
| APENGUS11Y | 10 | 20° | 1075 | 2700 | 80 |
| APENGUS11W | 10 | 20° | 1120 | 3000 | 80 |
| APENGUS11N | 10 | 20° | 1160 | 4000 | 90 |

+ Finishing codes

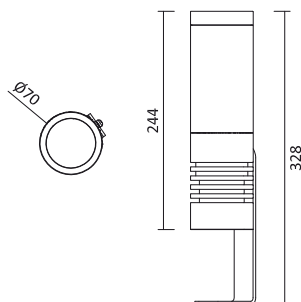
| Code | Description |
|------|-----------------------------|
| NA | Natural anodized aluminum |
| BA | Black anodized aluminum |
| GP | Grey RAL9006 powder painted |
| SP | Sable noir powder painted |
| WP | White powder painted |

+ Power supply codes

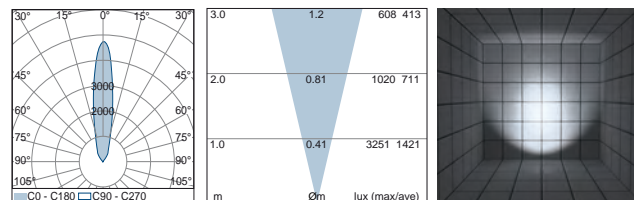
| Code | Power supply type |
|--------|-------------------|
| ST0350 | Standard - 350 mA |
| DI0350 | DIM1-10 - 350 mA |
| DA0350 | DIM DALI - 350 mA |

PENGUIN 14.5W

CE IP66 CLIII



20° 14.5W



Product codes

| Code | W | Optic | Lm | K | CRI |
|------------|------|-------|------|------|-----|
| APENGUS21Y | 14.5 | 20° | 1430 | 2700 | 80 |
| APENGUS21W | 14.5 | 20° | 1490 | 3000 | 80 |
| APENGUS21N | 14.5 | 20° | 1540 | 4000 | 90 |

+ Finishing codes

| Code | Description |
|------|-----------------------------|
| NA | Natural anodized aluminum |
| BA | Black anodized aluminum |
| GP | Grey RAL9006 powder painted |
| SP | Sable noir powder painted |
| WP | White powder painted |

+ Power supply codes

| Code | Power supply type |
|--------|-------------------|
| ST0500 | Standard - 500 mA |
| DI0500 | DIM1-10 - 500 mA |
| DA0500 | DIM DALI - 500 mA |



PENGUIN/ Residential, Singapore

Tassoni & Pesenti