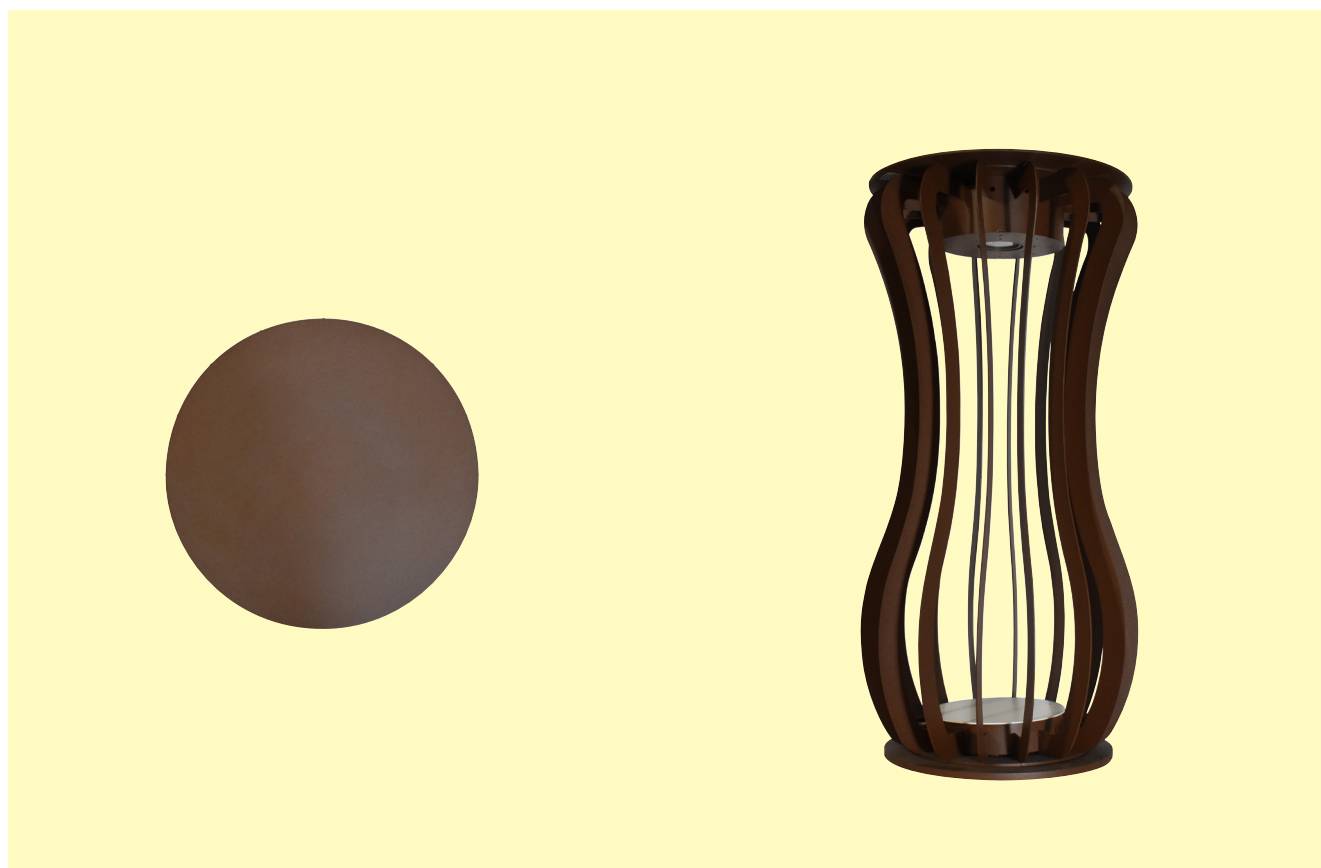


MARY MARY

CE IP65 CLI 

Installation

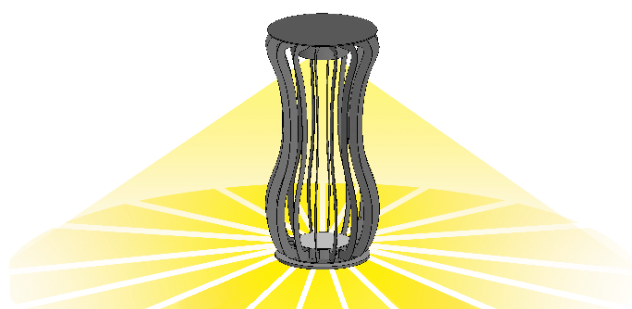
Surface mounted decorative luminaires to be fixed on the ground with spikes or chemical fishers.

Technical description

Body made of laser cutted steel sheet, folded, galvanized and painted with polyester powder.
Machined aluminum IP66 projector integrated in the upper compartment providing a downward lighting with radial shadows effect.
High quality power LED.

Electrical features

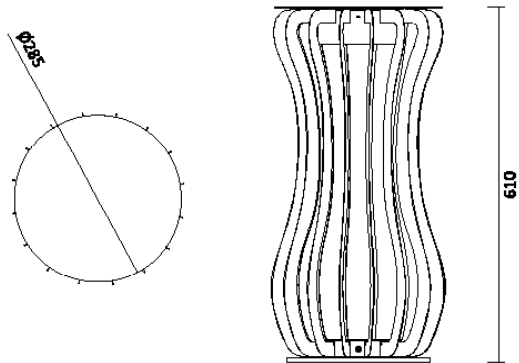
Class I device.
Power supply integrated in the lower compartment.



Source type	Power LED
Luminaire wattage	8.7W
Colour temperature	2700K - 3000K - 4000K
CRI	80 - also available 90
Beam	Diffuse
Driver	Integrated
Input	220-240V 50/60Hz
Protection class	CLI
IP rating	IP65
Weight	12 kg
Dimensions	Ø 285 x h 610

MARY MARY

CE IP65 CLI F



Product codes

Code	W	Optic	Lm	K	CRI
CMARYMARY	8.7	65°	620	2700	80
CMARYMARYW	8.7	65°	660	3000	80
CMARYMARYN	8.7	65°	705	4000	80

+ Finishing codes

Code	Description
RC	Rusty Curtain powder painted
SP	Sablè Noir powder painted
CP	Custom colour powder painted

+ Power supply codes

Code	Power Supply Type
ST0700	Standard - 700 mA
DI0700	DIM1-10 - 700 mA
DA0700	DIM DALI - 700 mA



Mary Mary / Hotel, Dubai