

SHANTY

CE IP66 CLI **Installation**

Surface mounted decorative luminaires to be fixed on the ground or on a boundary wall.

Technical Description

Body made of machined aluminium, black anodized.
 Top cap made of turned aluminum and painted with polyester powder.
 Diffuser made of coloured glass.
 Body and glass can be of any specified colour.

Electrical Features

E27 lampholder.
 Class I device.

Source Type

Luminaire wattage

Colour temperature

CRI

Beam

Input

Protection class

IP rating

Weight

Dimensions

LED bulb.

Max 11W

2700K - 3000K - 4000K

80 - also available 90

Diffuse

220-240V 50/60Hz

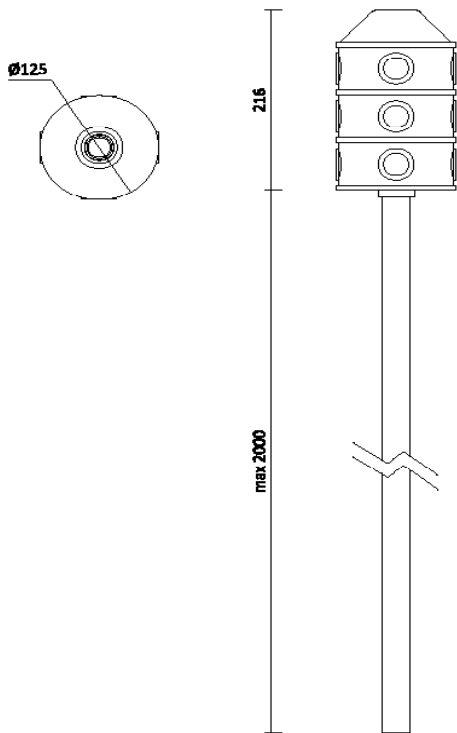
CLI

IP66

1,6 kg

Ø 125 x h 216





Product codes (pole not included)

Code	W	Optic	K	CRI
CSHANTY11Y	Max 11	Diffuse	2700	80
CSHANTY11W	Max 11	Diffuse	3000	80
CSHANTY11N	Max 11	Diffuse	4000	80

+ Finishing codes - cap

Code	Description
BP	Rusty Cortain powder painted
CP	Custom colour powder painted

+ Finishing codes - Cylindrical glasses

Code	Description
OG	Orange glasses
CG	Custom colour glasses

+ Finishing codes - Circular glasses

Code	Description
RG	Red glasses
CG	Custom colour glasses

+ Power supply codes

Code	Power Supply Type
DIR220	Direct feeding - 220-240V



Shanty / Hotel, Dubai