

JAN

craftmen for lighting

JAN
a brand of
TASSONI & PESENTI SRL

Sede Operativa
Headquarter

Via Monte Grappa, 32
20080 Albairate (MI) - Italy
Tel/Fax: +39 02 97162704
www.tplight.it

Sede Legale
Registered Office

Via E. Forlanini, 23
20134 Milano - Italy
CF/PI: 07703840962
N°REA: 1976624

Direzione Commerciale
Sales Management

Marcella Pesenti
Mob: +39 348 8126774
pesenti@tplight.it

Logistica e Produzione
Logistic and Production

Luigi Tassoni
Mob: +39 392 0771847
tassoni@tplight.it

Contatti Generali
General Contact

info@tplight.it

Contatti Commerciali
Sales Contact

marketing@tplight.it

Photos

Giulio Boem - mail@giulioboem.com

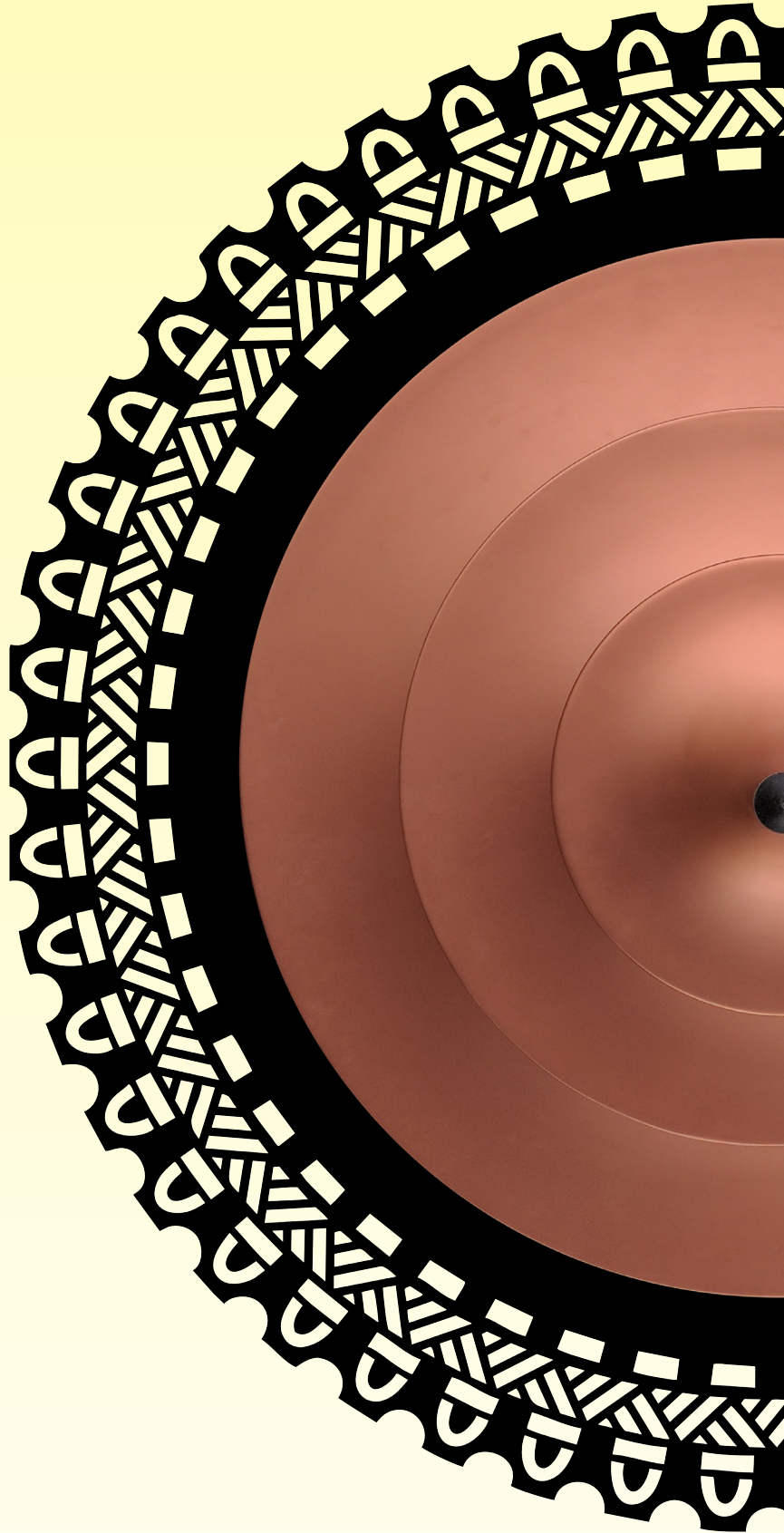
Design







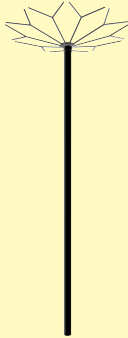

Tassoni & Pesenti Srl



Contract


Apakura, Stelo, Avaiki, Torcia, Mary Mary, Shanty,
Groot, Extra, Jamaica A,B,C and D, Miami and Cone.



Contract		
<u>Ceiling suspension</u>		
Wattage Beam Angle Dimension	<p>pag 5</p> <p>APAKURA</p> <p>2700K</p> <p>Max 140W + 7W Diffusive Max Ø 2000 x h 720</p> 	<p>pag 9</p> <p>STELO</p> <p>2700K 3000K 4000K</p> <p>2.1W Diffusive Ø 26 x max h3000</p> 
<u>Wall Mounted</u>		
Wattage Beam Angle Dimension	<p>pag 11</p> <p>BOUGIE</p> <p>2700K 3000K 4000K</p> <p>Max 11W Diffusive h 280 x l 200 x w 148</p> 	<p>pag 13</p> <p>TORCIA</p> <p>2700K 3000K 4000K</p> <p>18W - 27W Diffusive h 1050 x l 80 x w 272</p> 
<u>Floor outdoor</u>		
Wattage Beam Angle Dimension	<p>pag 15</p> <p>MARY MARY</p> <p>2700K 3000K 4000K</p> <p>8.7W Diffusive Ø 285 x h 610</p> 	<p>pag 17</p> <p>SHANTY</p> <p>2700K 3000K 4000K</p> <p>Max 11W Diffusive Ø 125 x h 216</p> 
<u>Table</u>		
Wattage Beam Angle Dimension	<p>pag 19</p> <p>GROOT</p> <p>2700K 3000K 4000K</p> <p>46W - 89W - 176W Diffusive Ø 1888 x h 533</p> 	<p>pag 21</p> <p>EXTRA</p> <p>2700K 3000K 4000K</p> <p>6W - 11W Diffusive H 380 x l 722 x d 15</p> 

<p>Contract</p>				
<u>Wall and underwater</u>				
<p>pag 25</p> <p>JAMAICA RANGE</p> <p>2700K 3000K 4000K</p> <p>Wattage: Max 12W Beam Angle: Diffusive Dimension</p>	<p>Jamaica A</p>  <p>Ø 26 x max h1000</p>	<p>Jamaica B</p>  <p>Ø 26 x max h1000</p>	<p>Jamaica C</p>  <p>Ø 26 x max h1000</p>	<p>Jamaica D</p>  <p>Ø 26 x max h1000</p>
<u>Floor and table</u>				
<p>pag 33</p> <p>MIAMI RANGE</p> <p>2700K</p> <p>Wattage: Max 2x11W Beam Angle: Diffusive Dimension</p>	<p>Miami Floor Wood</p>  <p>h 1800 x l 610 x d 200</p>	<p>Miami Floor Marble</p>  <p>h 1800 x l 610 x d 200</p>	<p>Miami Table Wood</p>  <p>h 350 x l 410 x d 125</p>	<p>Miami Table Marble</p>  <p>h 350 x l 410 x d 125</p>
<u>Wall, ceiling and floor mounted</u>				
<p>pag 37</p> <p>CONE RANGE</p> <p>2700K 3000K 4000K</p> <p>Wattage: 11.5W Beam Angle: Diffusive Dimension</p>	<p>Cone Wall</p>  <p>h 1065 x l 130 x d 315</p>	<p>Cone Ceiling</p>  <p>Ø 130 x h 1000</p>	<p>Cone Floor</p>  <p>Ø 1950 x h 300</p>	

APAKURA

CE IP20/54 CLI 




Apakura 3 bronze finish



Apakura 3 white finish

APAKURA 3

CE IP20/54 CLI 

Installation

Ceiling suspended chandelier for indoor and under canopy installation.

Technical description

Main body made up of 2 or 3 thermoformed acrylic sheets shaped as stretched cones and aligned concentrically with a stainless steel pipe.

Thermoformed cones are painted with a special bronze colour used in the automotive field or in white; other colour upon request are available.

Bottom small aluminium cone for indirect lighting.

Top external aesthetic ring made of a laser cutted steel sheet and painted with polyester powder.

Hanging system with a rigid stainless steel rod or a suitable chain.

Electrical features

Apakura 3: 2nos rings with mid power LED, 130W.

Apakura 2: 1 no rings with mid power LED, 40W.

Both are equipped with a 7W LED module, in the pending cone.

Power supply integrated or remotized for an easier maintenance.

Source type

Mid-power LED + Power LED

Luminaire wattage Apakura 3

130W + 7W

Luminaire wattage Apakura 2

40W + 7W

Colour temperature

2700K

CRI

80

Beam

Diffuse

Driver

Remoted/Integrated

Input

220-240V 50/60Hz

Protection class

CLI

IP rating

IP20/54

Dimensions Apakura 3

Ø 2000 x h 720

Dimensions Apakura 2

Ø 1285 x h 500

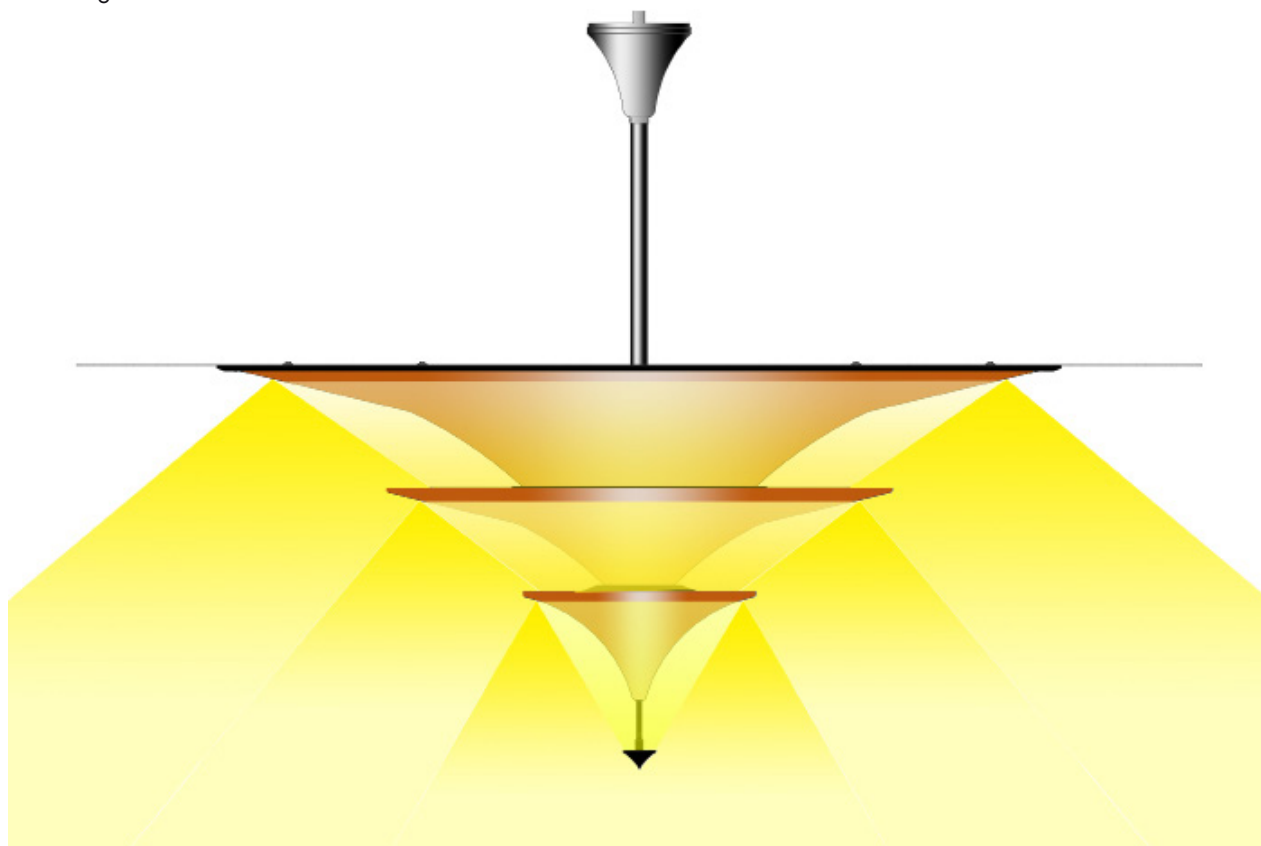
Suspension rod

Max 3000

Suspension chain

Max 6000

Apakura 3 light effect



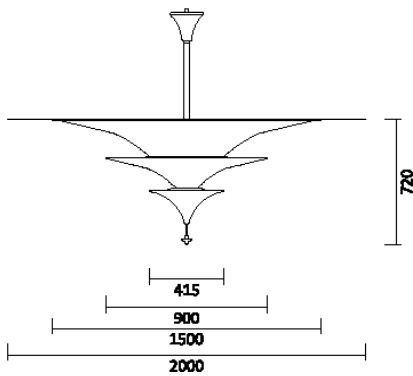
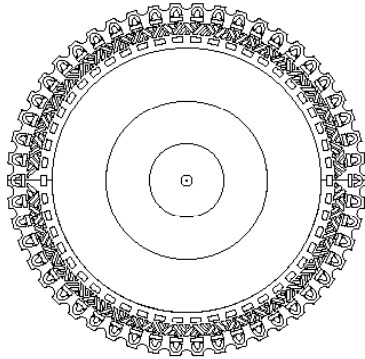


Apakura 3 / Hotel, Dubai

JAN - craftsmen for lighting

APAKURA 3

CE IP20/54 CLI



Product codes

Code	W	Optic	K	CRI
CAPAKU311Y	130+7	Diffuse	2700	80

+ Finishing codes

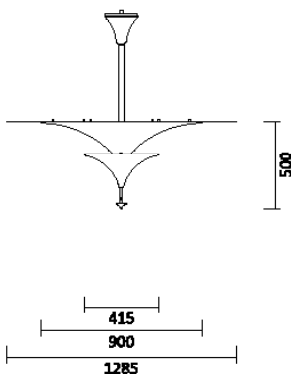
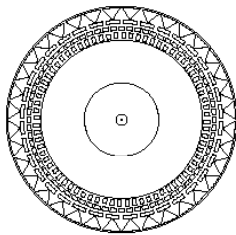
Code	Description
WP	Bronze powder painted
BP	White powder painted
CP	Other custom colour

+ Power supply codes

Code	Power Supply Type
ST0024	Standard - 24 V
DI0024	DIM1-10 - 24 V
DA0024	DIM DALI - 24 V

APAKURA 2

CE IP20/54 CLI



Product codes

Code	W	Optic	K	CRI
APAKU211Y	40+7	Diffuse	2700	80

+ Finishing codes

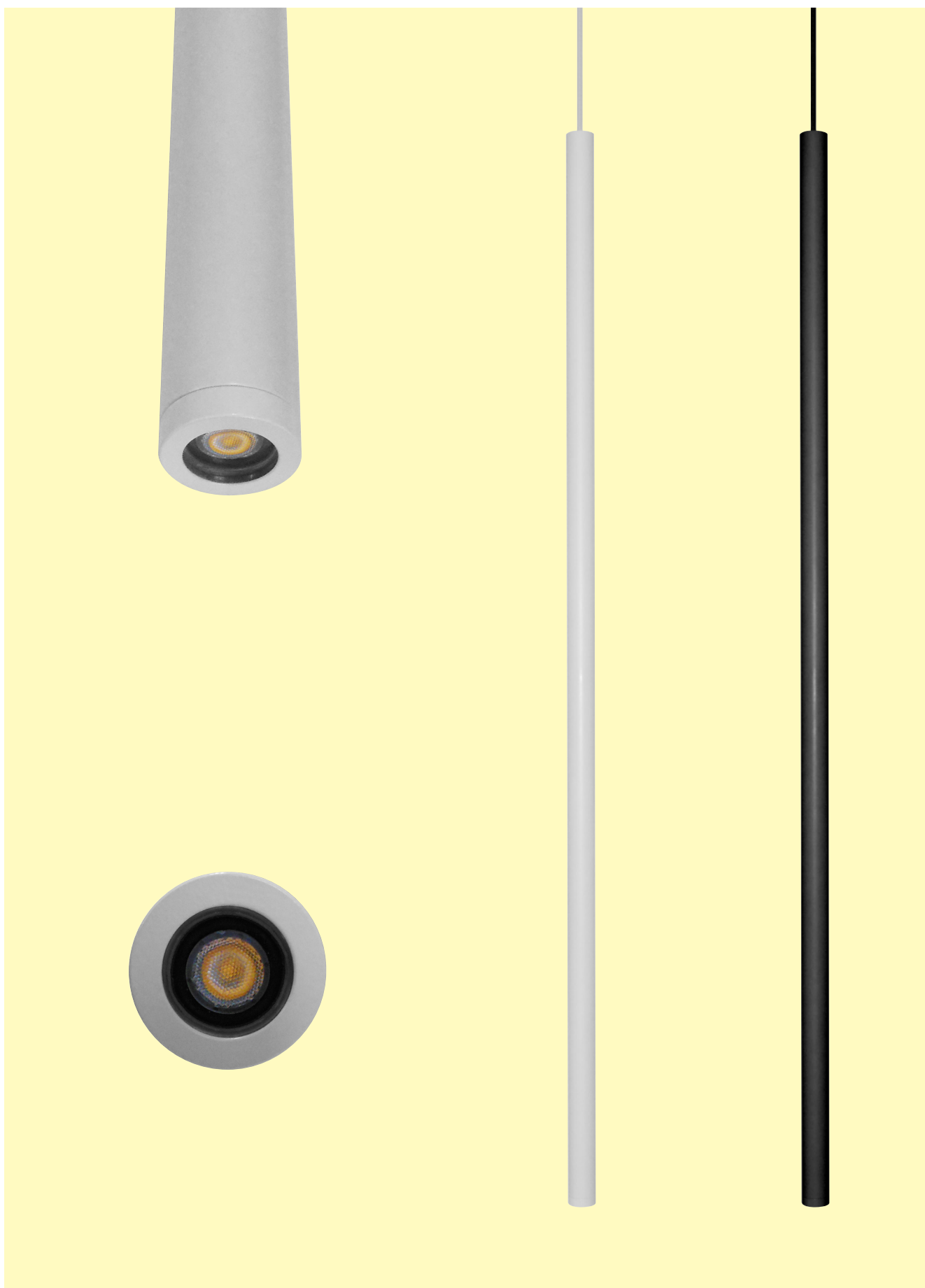
Code	Description
WP	Bronze powder painted
BP	White powder painted
CP	Other custom colour

+ Power supply codes

Code	Power Supply Type
ST0024	Standard - 24 V
DI0024	DIM1-10 - 24 V
DA0024	DIM DALI - 24 V

STELO

CE IP65 CLIII 



STELO



Installation

Suspended decorative luminaire with customizable rope main body lenght.

Technical description

Body made of extruded aluminum painted with polyester powder matt black, matt white or other colours upon request. Front closure made by pyrex glass. Ceiling fixing plate made of machined aluminum. Self-supporting wiring cable with aesthetical rubber coating. High quality power LED.

Electrical features

Remote power supply.
Class III luminaire.

Source type	Power LED
Luminaire wattage	1W - 2,1W
Colour temperature	2700K - 3000K - 4000K - RGB
CRI	80 - on request 90
Beam	11° - 32° - 45°
Driver	Remoted or in special plate
Input	Max 700 mA
Protection class	CLIII
IP rating	IP65
Weight	1,2 kg
Dimensions	Ø 26 x 1000
Available lenght	min 100 max 3000



Product codes

Code	W	Optic	Lm	K	CRI
CSTELOS11Y	1	11°	115	2700	80
CSTELOS11W	1	11°	120	3000	80
CSTELOS11N	1	11°	120	4000	80
CSTELOS13Y	1	32°	130	2700	80
CSTELOS13W	1	32°	135	3000	80
CSTELOS13N	1	32°	135	4000	80
CSTELOS15Y	1	45°	130	2700	80
CSTELOS15W	1	45°	135	3000	80
CSTELOS15N	1	45°	135	4000	80
CSTELOS11Y	2.1	11°	195	2700	80
CSTELOS11W	2.1	11°	210	3000	80
CSTELOS11N	2.1	11°	210	4000	80
CSTELOS13Y	2.1	32°	220	2700	80
CSTELOS13W	2.1	32°	235	3000	80
CSTELOS13N	2.1	32°	235	4000	80
CSTELOS15Y	2.1	45°	220	2700	80
CSTELOS15W	2.1	45°	235	3000	80
CSTELOS15N	2.1	45°	235	4000	80

+ Finishing codes

Code	Description
BP	Matt black powder painted
WP	Matt white powder painted
CP	Other custom colour

+ Power supply codes

Code	Power Supply Type
ST0350	Standard - 350 mA - 1W
DI0350	DIM1-10 - 350 mA - 1W
DA0350	DIM DALI - 350 mA - 1W
ST0700	Standard - 700 mA - 2.1W
DI0700	DIM1-10 - 700 mA - 2.1W
DA0700	DIM DALI - 700 mA - 2.1W

RGB version available

BOUGIE

CE IP66 CLI 

Laser cutted drawing and shade dimension are fully customizable.

Installation

Wall mounted decorative luminaire, for indoor and outdoor installation.

Technical description

Shade and wall plate made of laser cutted steel sheet, folded, galvanized and painted with polyester powder. Lamp base made of black anodized machined aluminum. Cylindrical diffuser made of UV stabilized polycarbonate.

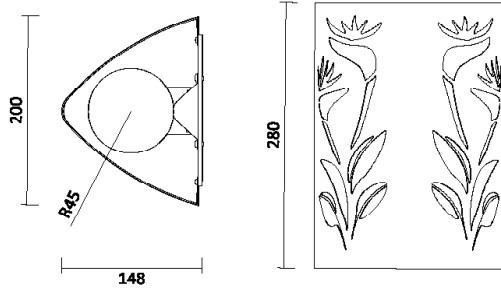
Electrical features

E27 lampholder.
Class I device.

Source type	LED bulb.
Luminaire wattage	Max 11W
Colour temperature	2700K - 3000K - 4000K
CRI	80 - also available 90
Beam	Diffuse
Input	220-240V 50/60Hz
Protection class	CLI
IP rating	IP66
Weight	1,65 kg
Dimensions	h 280 x l 200 x w 148

BOUGIE

CE IP66 CLI 



Product codes

Code	W	Optic	K	CRI
CBOUGIE11Y	Max 11	Diffuse	2700	80
CBOUGIE11W	Max 11	Diffuse	3000	80
CBOUGIE11N	Max 11	Diffuse	4000	80

+ Finishing codes

Code	Description
BP	Bronze powder painted
WP	White powder painted
SP	Sablé Noir powder painted
CP	Custom colour powder painted

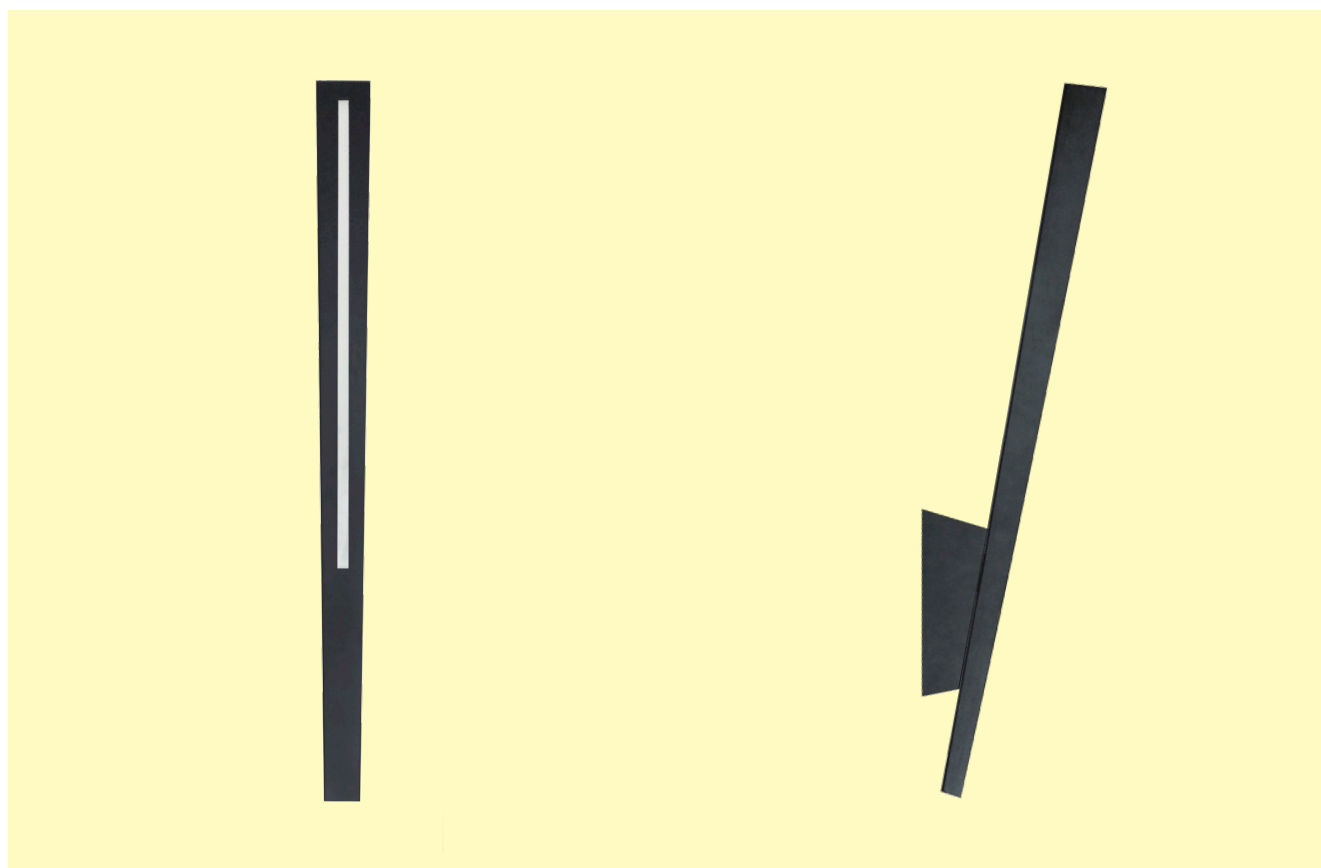
+ Power supply codes

Code	Power Supply Type
DIR220	Direct feeding - 220-240V



Avaiki / Hotel, Singapore

TORCIA

CE IP65 CLI **Installation**

Wall mounted decorative luminaire, for indoor and outdoor installation.

Technical description

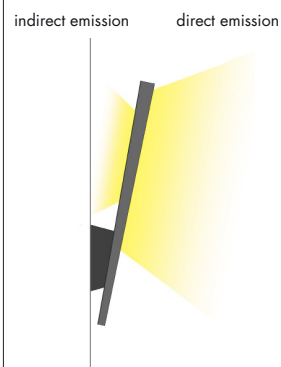
Body and wall fixing compartment made of laser cutted steel sheet, folded, galvanized and painted with polyester powder.
LED modules are placed on inner aluminum dissipation profiles.
Opal diffusers made of UV stabilized polycarbonate sheets.
High quality LED.

Electrical features

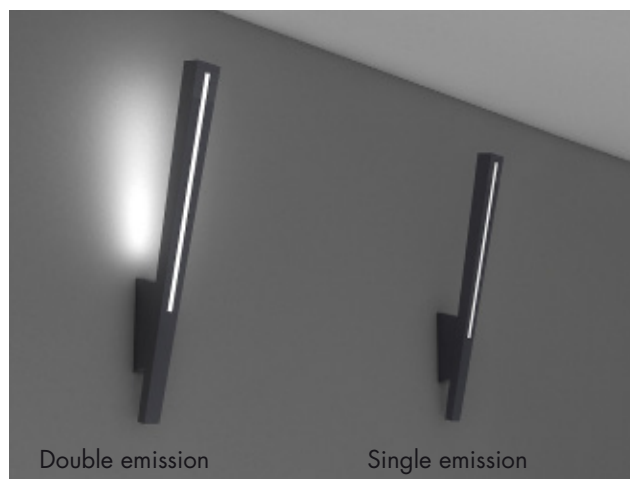
Class I device.
Standard or dimmable power supply located in the rear compartment.

Optical features

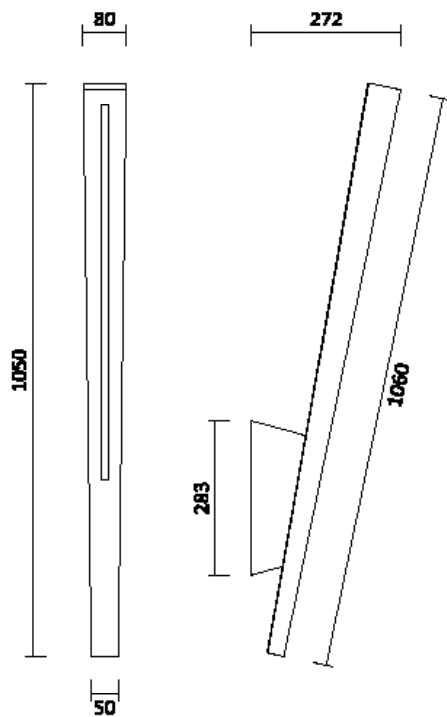
Torcia can be provided with a single direct emission or with double emission.



Source type	Mid-power LED
Luminaire wattage	18W - 27W
Colour temperature	2700K - 3000K - 4000K
CRI	80 - on request 90
Beam	Diffuse
Driver	Integrated
Input	220-240V 50/60Hz
Protection class	CLI
IP rating	IP65
Weight	4.5 kg
Dimensions	h 1050 x l 80 x w 272



TORCIA

CE IP65 CLI **Product codes - TORCIA S single emission**

Code	W	Optic	Lm	K	CRI
CTORCIAS1Y	18	Diffuse.	1400	2700	80
CTORCIAS1W	18	Diffuse.	1510	3000	80
CTORCIAS1N	18	Diffuse.	1550	4000	80

Product codes - TORCIA D double emission

Code	W	Optic	Lm	K	CRI
CTORCIAD1Y	27	Diffuse.	2100	2700	80
CTORCIAD1W	27	Diffuse.	2265	3000	80
CTORCIAD1N	27	Diffuse.	2325	4000	80

+ Finishing codes

Code	Description
WP	White powder painted
SP	Sablè Noir powder painted
CP	Custom colour powder painted

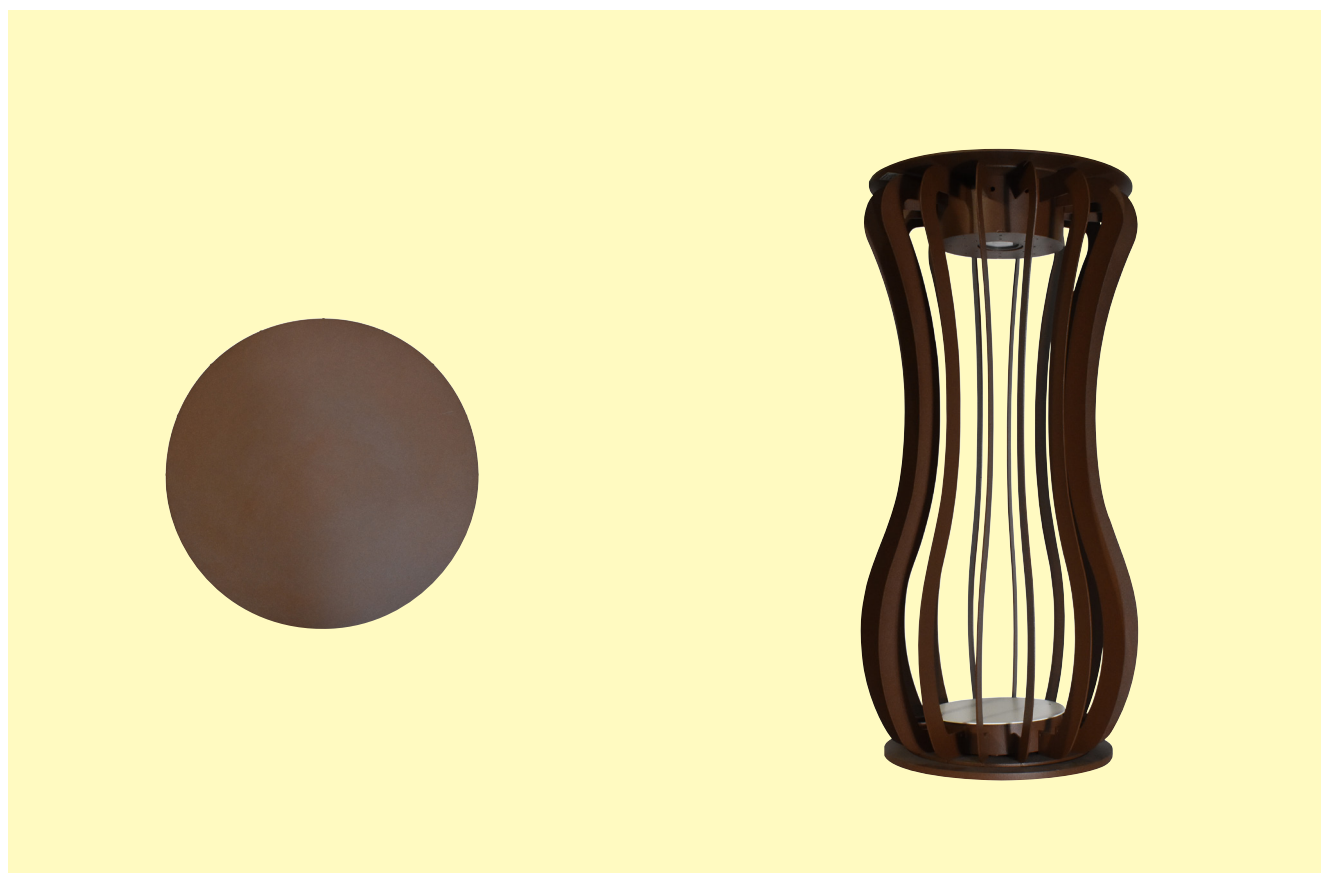
+ Power supply codes

Code	Power Supply Type
ST0220	Standard - 220V
DI0220	DIM1-10 - 220V



Torcia / Jolly Roger Hotel, Italy

MARY MARY

CE IP65 CLI 

Installation

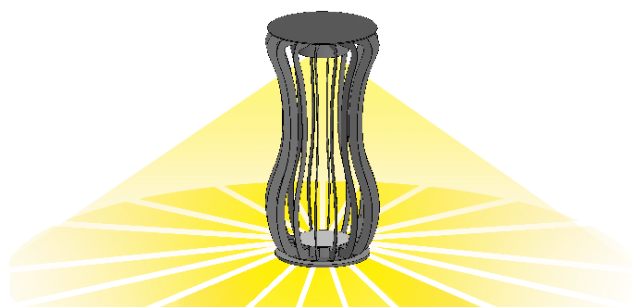
Surface mounted decorative luminaires to be fixed on the ground with spikes or chemical fishers.

Technical description

Body made of laser cutted steel sheet, folded, galvanized and painted with polyester powder.
Machined aluminum IP66 projector integrated in the upper compartment providing a downward lighting with radial shadows effect.
High quality power LED.

Electrical features

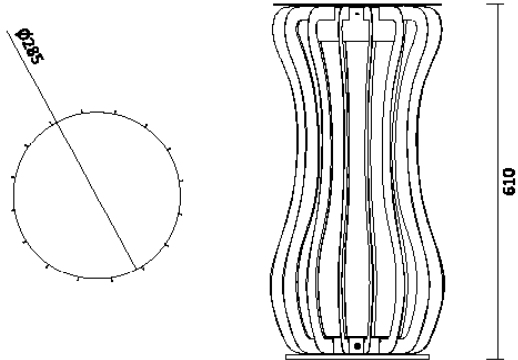
Class I device.
Power supply integrated in the lower compartment.



Source type	Power LED
Luminaire wattage	8.7W
Colour temperature	2700K - 3000K - 4000K
CRI	80 - also available 90
Beam	Diffuse
Driver	Integrated
Input	220-240V 50/60Hz
Protection class	CLI
IP rating	IP65
Weight	12 kg
Dimensions	Ø 285 x h 610

MARY MARY

CE IP65 CLI F



Product codes

Code	W	Optic	Lm	K	CRI
CMARYMARY	8.7	65°	620	2700	80
CMARYMARYW	8.7	65°	660	3000	80
CMARYMARYN	8.7	65°	705	4000	80

+ Finishing codes

Code	Description
RC	Rusty Curtain powder painted
SP	Sablè Noir powder painted
CP	Custom colour powder painted

+ Power supply codes

Code	Power Supply Type
ST0700	Standard - 700 mA
DI0700	DIM1-10 - 700 mA
DA0700	DIM DALI - 700 mA



Mary Mary / Hotel, Dubai

SHANTY

CE IP66 CLI **Installation**

Surface mounted decorative luminaires to be fixed on the ground or on a boundary wall.

Technical Description

Body made of machined aluminium, black anodized.
 Top cap made of turned aluminum and painted with polyester powder.
 Diffuser made of coloured glass.
 Body and glass can be of any specified colour.

Electrical Features

E27 lampholder.
 Class I device.

Source Type

Luminaire wattage

Colour temperature

CRI

Beam

Input

Protection class

IP rating

Weight

Dimensions

LED bulb.

Max 11W

2700K - 3000K - 4000K

80 - also available 90

Diffuse

220-240V 50/60Hz

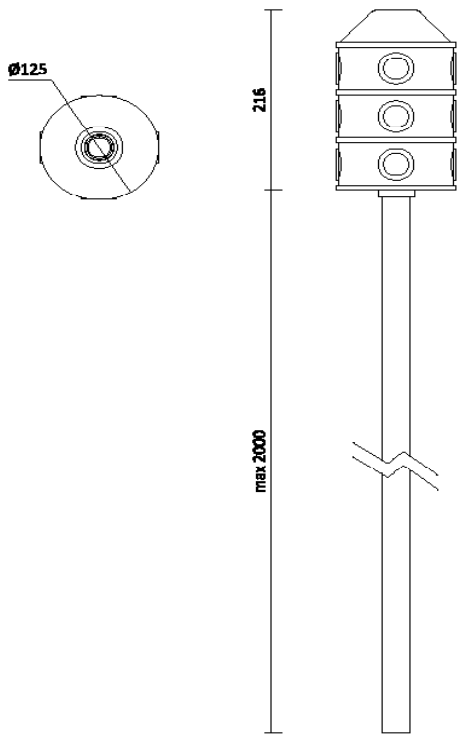
CLI

IP66

1,6 kg

Ø 125 x h 216





Product codes (pole not included)

Code	W	Optic	K	CRI
CSHANTY11Y	Max 11	Diffuse	2700	80
CSHANTY11W	Max 11	Diffuse	3000	80
CSHANTY11N	Max 11	Diffuse	4000	80

+ Finishing codes - cap

Code	Description
BP	Rusty Cortain powder painted
CP	Custom colour powder painted

+ Finishing codes - Cylindrical glasses

Code	Description
OG	Orange glasses
CG	Custom colour glasses

+ Finishing codes - Circular glasses

Code	Description
RG	Red glasses
CG	Custom colour glasses

+ Power supply codes

Code	Power Supply Type
DIR220	Direct feeding - 220-240V



Shanty / Hotel, Dubai

Installation

Decorative post top luminaire for residential, commercial and pedestral areas, characterized by an original shape that provide a 360° downward lighting. Pole to be ordered separately.

Technical Description

Branches made of extruded aluminum housing the LED linear PCB and casted with a opal polyurethane resin with very high degree of resistance in any ambient condition.

Branches are joined to realise Y shaped branches and compose a tree disposition.

The aluminum profile can be black or natural anodized or painted with polyester powder.

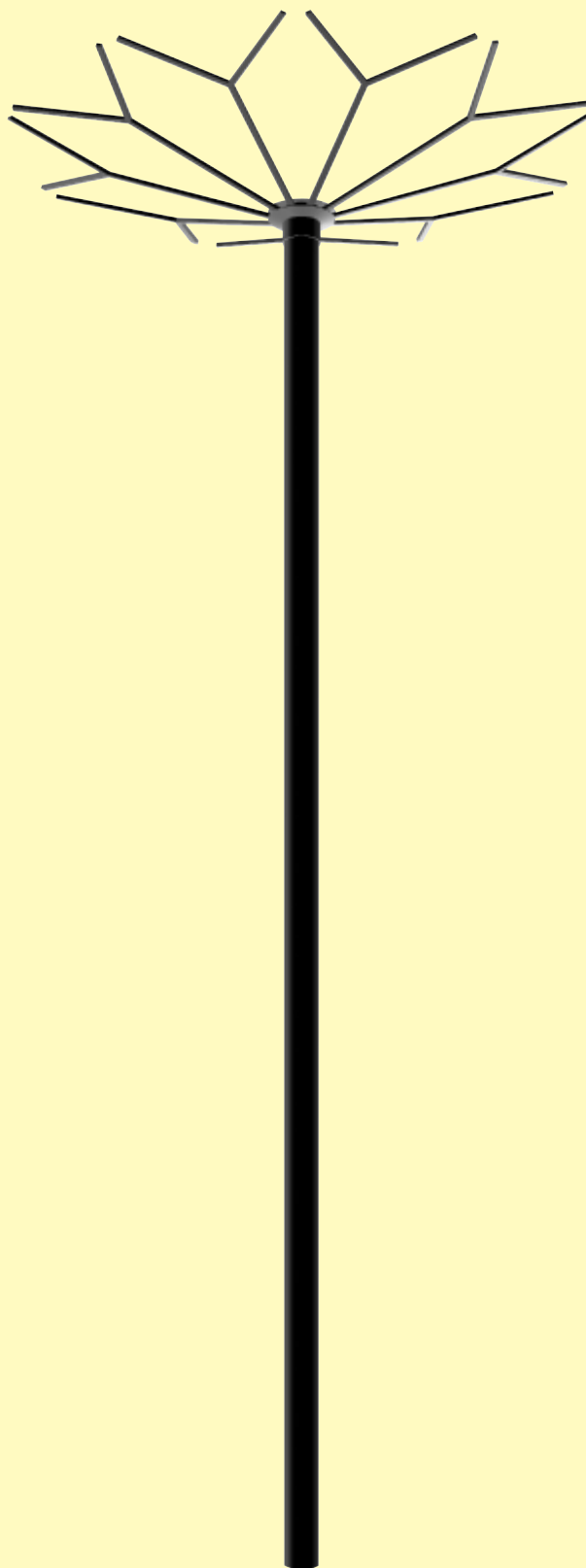
An aluminum machined central element with same finish of the branches allow them to be linked together and to be inserted on the top of the pole which diametre can vary from 76 to 140 mm.

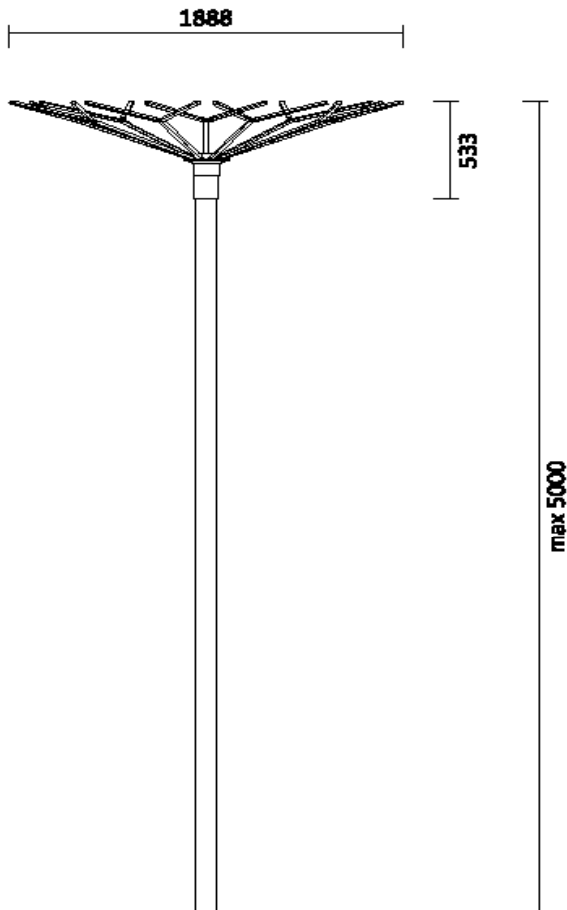
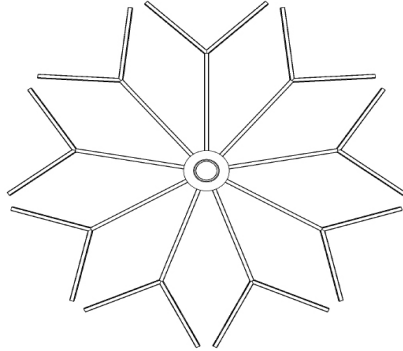
Electrical Features

Clas I device.

Power supply to be placed in the pole at the cut-out.

Source type	Mid power LED
Luminaire wattage	46W - 89W - 176W
Colour temperature	2700K - 3000K - 4000K - RGB on request
CRI	80 - also available 90
Beam	Diffuse
Driver	Included, to be placed in the pole cut-out
Input	220-240V 50/60 Hz
Protection class	CLI
IP rating	IP66
Weight	9,5 kg (pole not included)
Dimensions	Ø 1888 x h 533 (pole not included)





Product codes

Code	W	Optic	Lm	K	CRI
CGROOT111Y	46	Diffuse	3290	2700	80
CGROOT111W	46	Diffuse	3615	3000	80
CGROOT111N	46	Diffuse	3945	4000	80
CGROOT121Y	89	Diffuse	6075	2700	80
CGROOT121W	89	Diffuse	6680	3000	80
CGROOT121N	89	Diffuse	7290	4000	80
CGROOT131Y	176	Diffuse	11440	2700	80
CGROOT131W	176	Diffuse	12585	3000	80
CGROOT131N	176	Diffuse	13725	4000	80

+ Finishing codes

Code	Description
RC	Rusty Curtain powder painted
SP	Sablè Noir powder painted
CP	Custom colour powder painted

+ Power supply codes

Code	Power supply type
ST0024	Standard - 24V
DI0024	DIM1-10 - 24V
DA0024	DIM DALI - 24V

RGB version available 

EXTRA

CE IP20 CLIII 

Installation

Table and wall LED luminaire with an attractive and functional design. Thanks to a triple junction and an axial rotation of the terminals joints, an extreme flexibility in positioning and orientation of the lighting window is provided. ON/OFF and dimming switch is positioned on the end of the lighting segment.

Technical description

Luminaire segments are made with anodized aluminum profiles with square section. Joints made of injection molded plastic characterized by absence of wires. Table base made with a circular steel base painted with polyester powder black or RAL 9006; wall fixing made of machined and anodized aluminum; both systems ensure the rotation on the vertical axis. Linear PCB with mid-power LED and with an integrated dimming system through a push button. Front diffuser made of satin polycarbonate for a better visual comfort. High quality LED.

Electrical features

Class III device.
Remote power supply included and on the feeding cable as wall plug.

Source type	Mid-power LED
Luminaire wattage	6W - 11W
Colour temperature	2700K - 3000K - 4000K
CRI	80 - on request 90
Beam	Diffuse
Driver	Remote on plug
Input	24V
Protection class	CLIII
IP rating	IP20
Weight	1,2 kg
Dimensions open	H 380 x l 722 x d 15
Dimensions close	H 380 x l 55 x d 15



AEXTRAT001 - Table base

Steel plate table base painted with polyester powder black colour.



AEXTRAW001 - Wall fixing system

Accessory for wall mounting made of machined aluminum with same finish of the luminaire.

Included with product

External power supply on plug. Input 220-240V 50/60Hz, output 24V.

Product codes - Extra Table

Code	W	Optic	Lm	K	CRI
CEXTRAT11Y	6	Diffuse	650	2700	80
CEXTRAT11W	6	Diffuse	675	3000	80
CEXTRAT11N	6	Diffuse	700	4000	80
CEXTRAT21Y	11	Diffuse	1100	2700	80
CEXTRAT21W	11	Diffuse	1150	3000	80
CEXTRAT21N	11	Diffuse	1200	4000	80

Product codes - Extra Wall

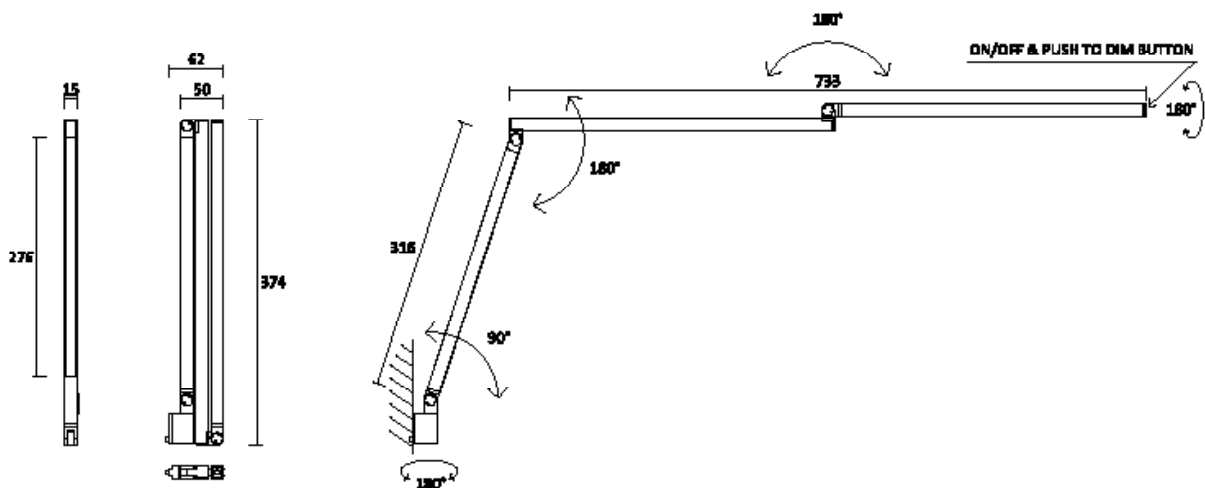
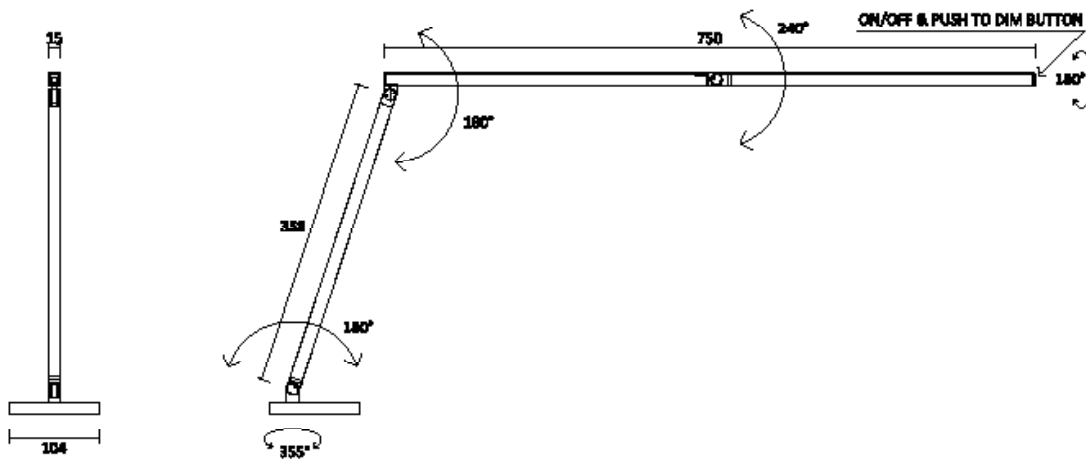
Code	W	Optic	Lm	K	CRI
CEXTRAW11Y	6	Diffuse	650	2700	80
CEXTRAW11W	6	Diffuse	675	3000	80
CEXTRAW11N	6	Diffuse	700	4000	80
CEXTRAW21Y	11	Diffuse	1100	2700	80
CEXTRAW21W	11	Diffuse	1150	3000	80
CEXTRAW21N	11	Diffuse	1200	4000	80

+ Finishing codes

Code	Description
NA	Natural grey anodized
BA	Black anodized
CP	Custom colour powder painted

+ Power supply codes

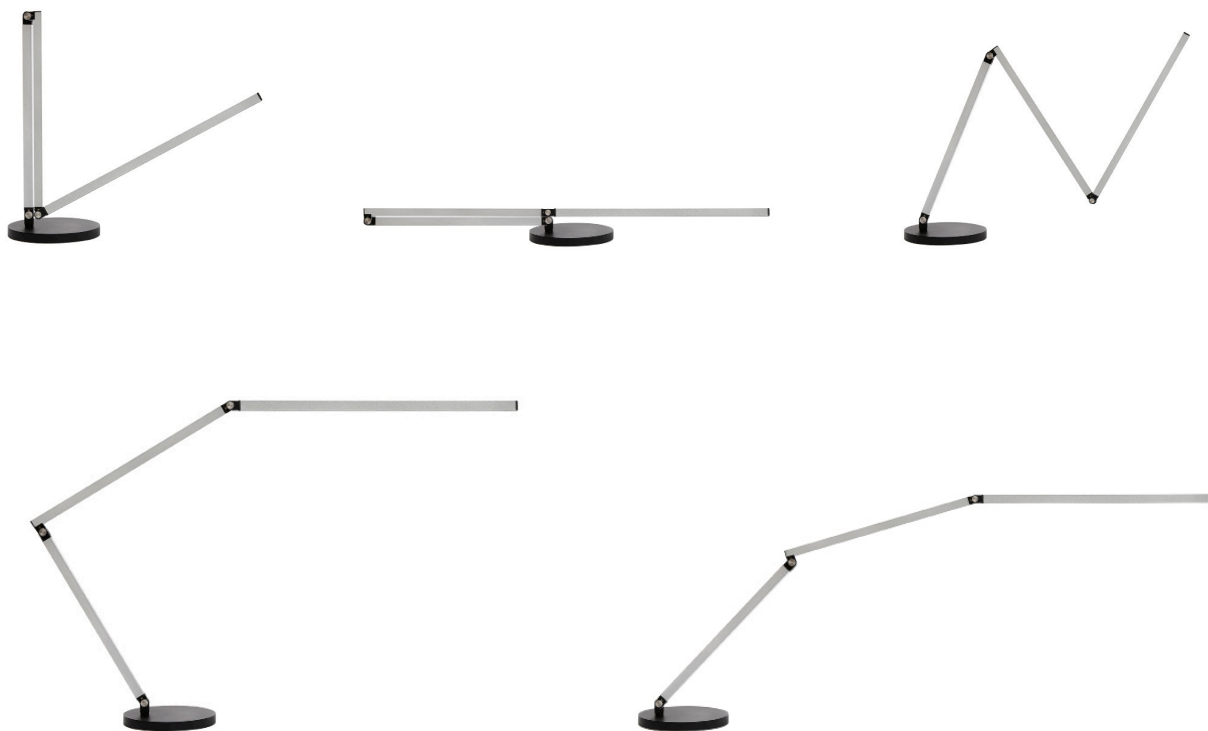
Code	Power supply type
ST0024	Standard - 24V
DI0024	DIM1-10 - 24V



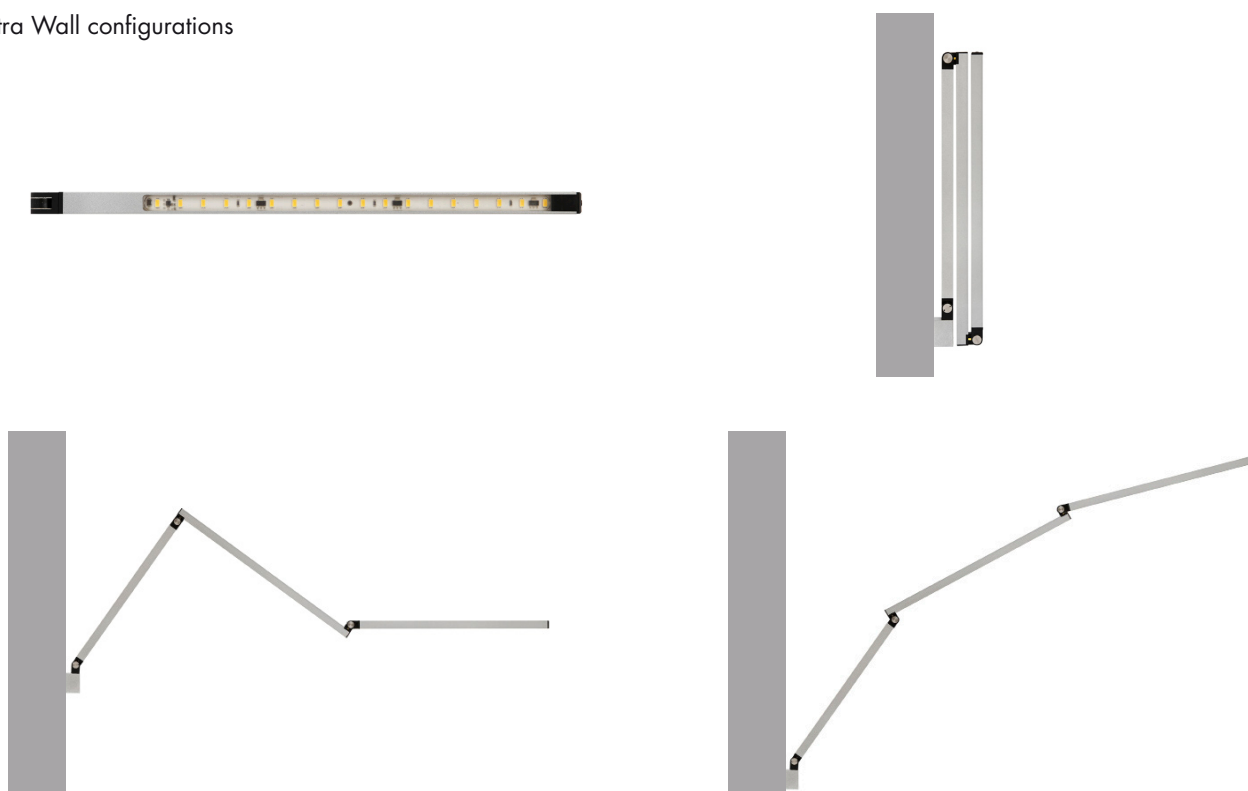
EXTRA

CE IP20 CLII 

Extra Table configurations



Extra Wall configurations





Extra / New York University, Abu Dhabi

JAMAICA A

CE IP66 CLI 

Installation

Wall mounted decorative luminaire, for indoor and outdoor installation.

Technical description

Body made of natural bamboo machined with special carpentry tools finished with a wood liquid paint and with a second transparent protective layer.

Polycarbonate diffuser.

IP66 lighting system made of an aluminum profile with a polyurethane casted linear PCB to guarantee a high level of protection.

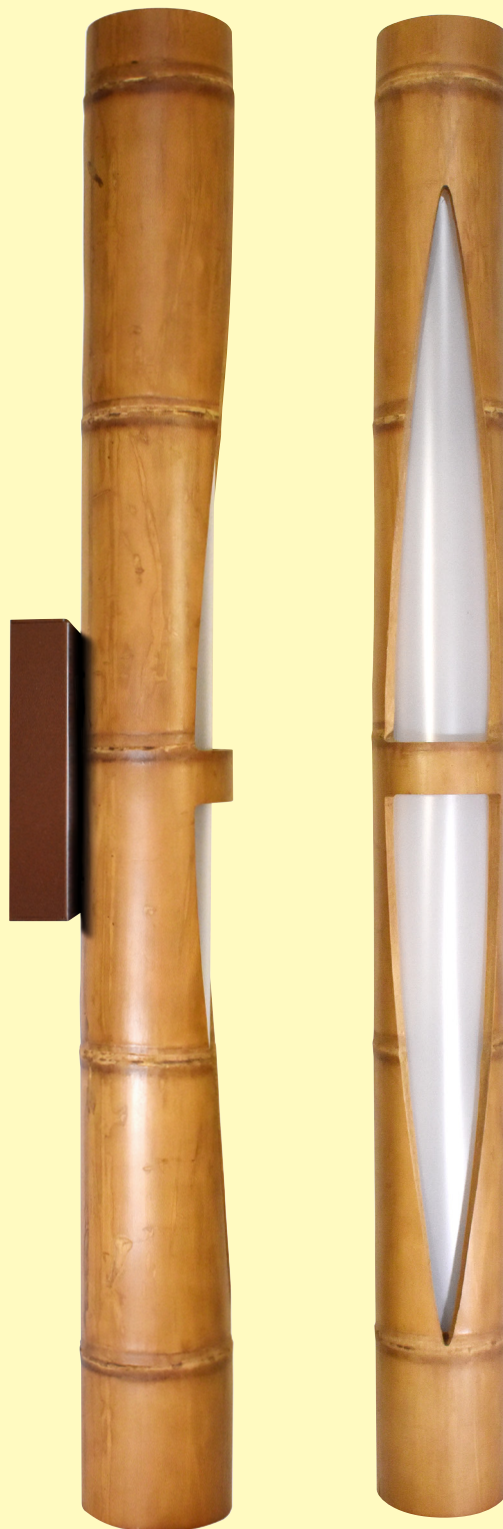
Fixing system and power supply box made of laser cutted steel sheet galvanized and painted with polyester powder. High quality LED.

Electrical features

Class I device.

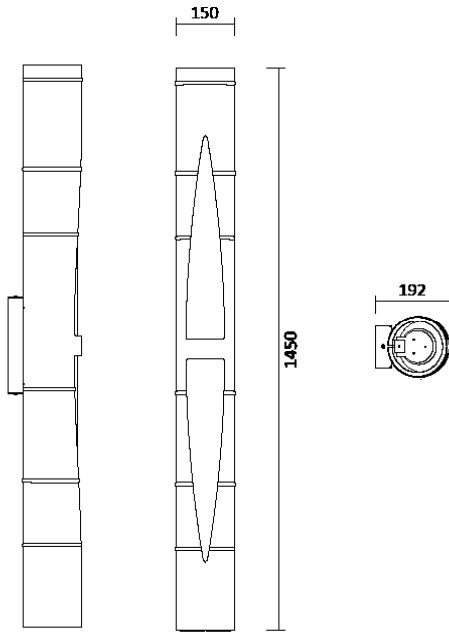
Integrated power supply.

Source Type	Mid-power LED
Luminaire wattage	12W
Colour temperature	2700K - 3000K - 4000K
CRI	80
Beam	Diffuse
Driver	Integrated
Input	220-240V 50/60Hz
Protection class	CLI
IP rating	IP66
Weight	7 kg
Dimensions	h 1450 x l 150 x d 192



JAMAICA A

CE IP66 CLI 



Bamboo diameter can vary in order to provide the best selection of the natural material.

Product codes

Code	W	Optic	Lm	K	CRI
CJAMAICA1Y	12	Diffuse	720	2700	80
CJAMAICA1W	12	Diffuse	825	3000	80
CJAMAICA1N	12	Diffuse	936	4000	80

+ Finishing codes

Code	Description
BL	Natural brown liquid painting
CL	Custom colour liquid painting

+ Power supply codes

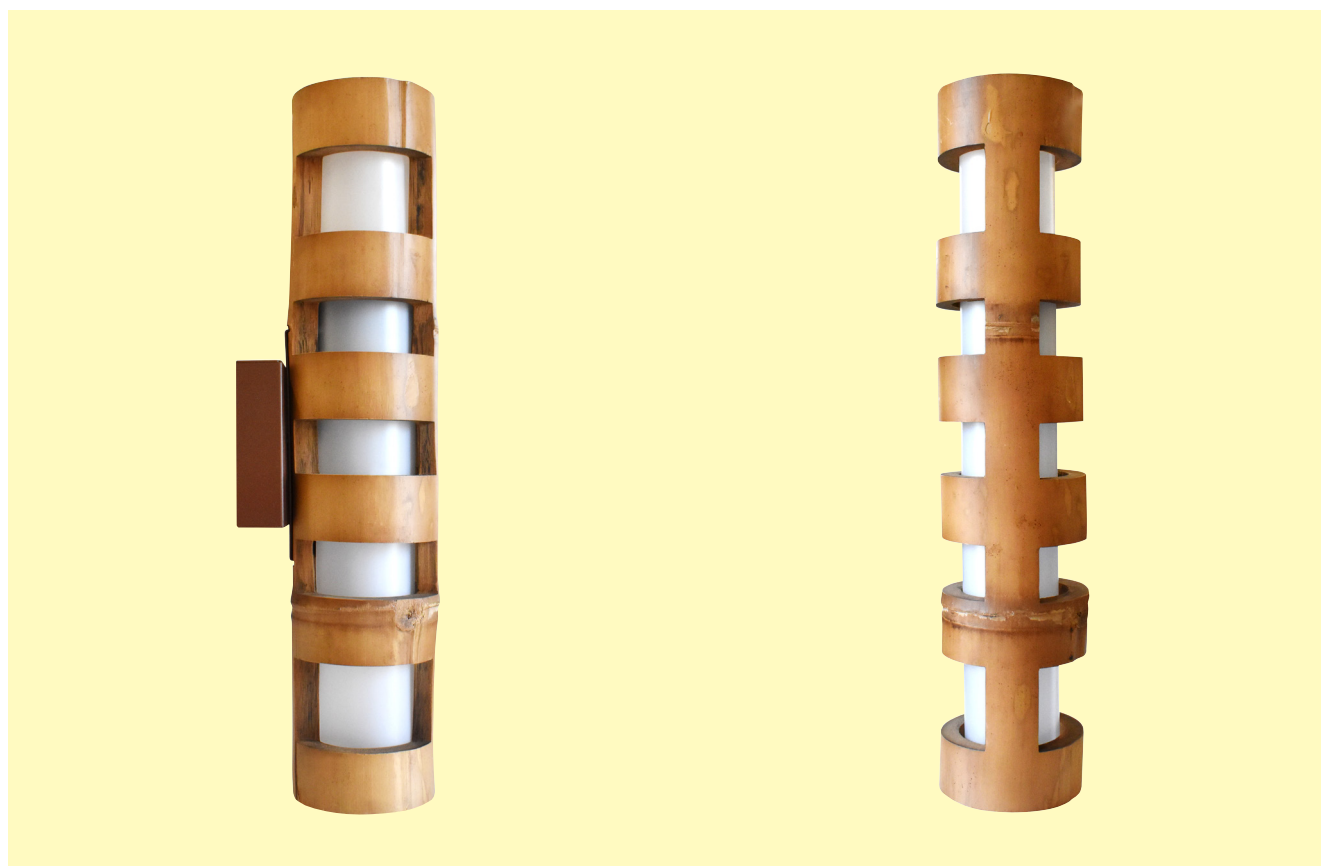
Code	Power supply type
ST0024	Standard - 24V
DI0024	DIM1-10 - 24V
DA0024	DIM DALI - 24V



Jamaica A / Lapita Hotel, Dubai

JAMAICA B

CE IP66 CLI 



Installation

Wall mounted decorative luminaire, for indoor and outdoor installation.

Technical description

Body made of natural bamboo machined with special carpentry tools finished with a wood liquid paint and with a second transparent protective layer.

Polycarbonate diffuser.

IP66 lighting system made of an aluminum profile with a polyurethane casted linear PCB to guarantee a high level of protection.

Fixing system and power supply box made of laser cutted steel sheet galvanized and painted with polyester powder. High quality LED.

Electrical features

Class I device.

Integrated power supply.

Source Type

Mid-power LED

Luminaire wattage

12W

Colour temperature

2700K - 3000K - 4000K

CRI

80

Beam

Diffuse

Driver

Integrated

Input

220-240V 50/60Hz

Protection class

CLI

IP rating

IP66

Weight

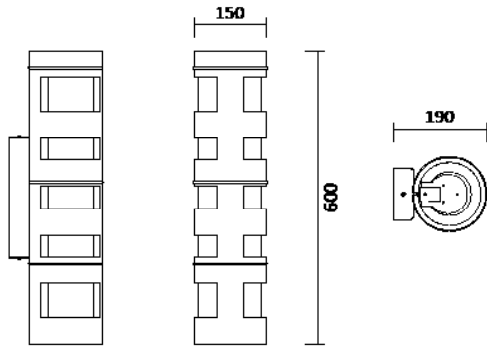
4 kg

Dimensions

h 600 x l 150 x d 190

JAMAICA B

CE IP66 CLI 



Bamboo diametre can vary in order to provide the best selection of the natural material.

Product codes

Code	W	Optic	Lm	K	CRI
CJAMAICB1Y	12	Diffuse	720	2700	80
CJAMAICB1W	12	Diffuse	825	3000	80
CJAMAICB1N	12	Diffuse	936	4000	80

+ Finishing codes

Code	Description
BL	Natural brown liquid painting
CL	Custom colour liquid painting

+ Power supply codes

Code	Power supply type
ST0024	Standard - 24V
DI0024	DIM1-10 - 24V
DA0024	DIM DALI - 24V



Jamaica B / Lapita Hotel, Dubai

JAMAICA C

CE IP66 CLI **Installation**

Wall mounted decorative luminaire, for indoor and outdoor installation.

Technical description

Body made of natural bamboo machined with special carpentry tools finished with a wood liquid paint and with a second transparent protective layer.

Polycarbonate diffuser.

Double IP66 lighting system made of an aluminum profile with a polyurethane casted linear PCB to guarantee a high level of protection.

Fixing system and power supply box made of laser cutted steel sheet galvanized and painted with polyester powder. High quality LED.

Electrical features

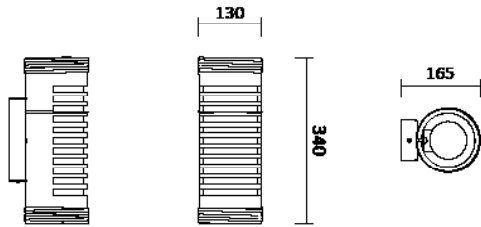
Class I device.

Integrated power supply.

Source Type	Mid-power LED
Luminaire wattage	10W
Colour temperature	2700K - 3000K - 4000K
CRI	80
Beam	Diffuse
Driver	Integrated
Input	220-240V 50/60Hz
Protection class	CLI
IP rating	IP66
Weight	3 kg
Dimensions	h 1450 x l 150 x d 192

JAMAICA C

CE IP66 CLI 



Bamboo diametre can vary in order to provide the best selection of the natural material.

Product codes

Code	W	Optic	Lm	K	CRI
CJAMAICC1Y	12	Diffuse	600	2700	80
CJAMAICC1W	12	Diffuse	685	3000	80
CJAMAICC1N	12	Diffuse	780	4000	80

+ Finishing codes

Code	Description
BL	Natural brown liquid painting
CL	Custom colour liquid painting

+ Power supply codes

Code	Power supply type
ST0024	Standard - 24V
DI0024	DIM1-10 - 24V
DA0024	DIM DALI - 24V



Jamaica C / Lapita Hotel, Dubai

JAMAICA D

CE IP68 CLIII 

Installation

Decorative luminaire, for underwater installation in such a way that the bamboo pipes are partially submerged. A typical installation can be in an artificial or natural water basin.

Technical description

Body made of natural bamboo machined with special carpentry tools finished with a wood liquid paint and with a second transparent protective layer.

Supporting table made of stainless steel AISI 316L elements; the horizontal plate is painted with polyester powder water resistant.

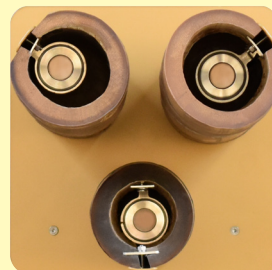
Stainless steel projectors recessed in the bamboo pipes in order to provide an emotional lighting of the inner side of the same bamboo.

High quality LED.

Electrical features

Class III device.

Remoted power supply.

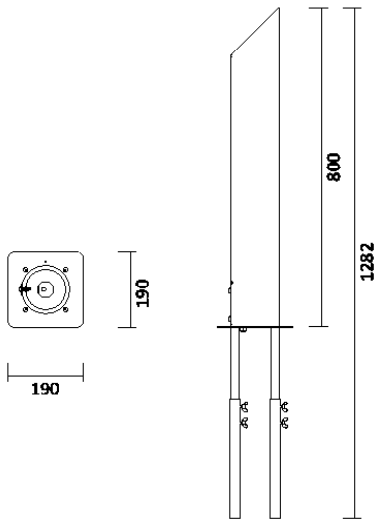


Source Type	Power LED
Luminaire wattage	2,1W for each projector
Colour temperature	Amber - 2700K - 3000K
CRI	80
Beam	Diffuse
Driver	Remoted
Input	700mA
Protection class	CLIII
IP rating	IP68
Weight	8/11/14 kg
Dimensions Jamaica D1	h 1282 x l 190 x d 190
Dimensions Jamaica D2	h 1282 x l 290 x d 200
Dimensions Jamaica D3	h 1282 x l 290 x d 290

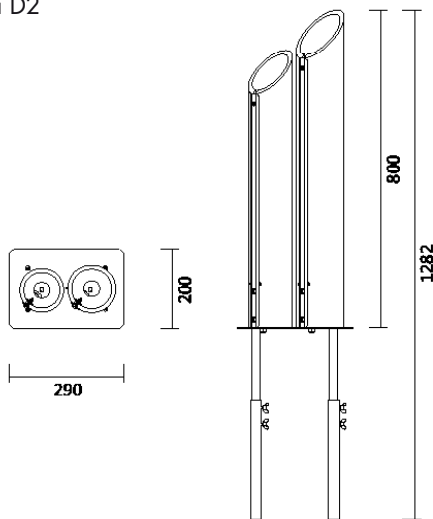
JAMAICA D

CE IP68 CLIII 

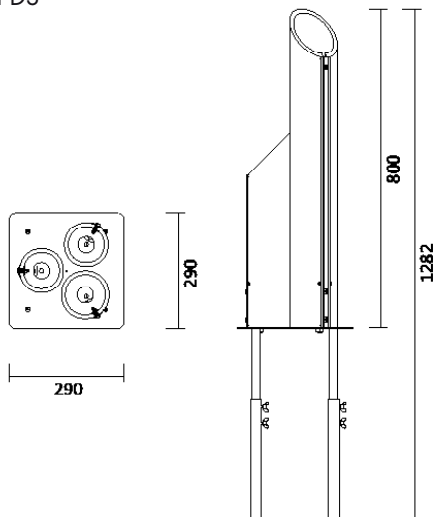
Jamaica D1



Jamaica D2



Jamaica D3



Product Codes

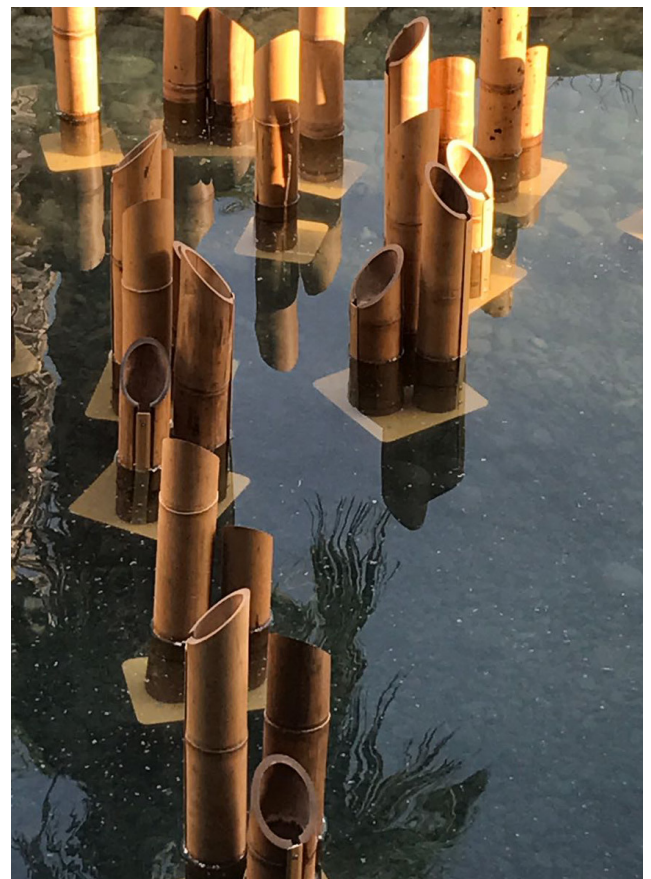
Code	W	Optic	Lm	K	CRI
CJAMAICD1A	2.1	Diffuse	100	Amber	/
CJAMAICD1Y	2.1	Diffuse	135	2700	80
CJAMAICD1W	2.1	Diffuse	145	3000	80
CJAMAICD2A	4.2	Diffuse	195	Amber	/
CJAMAICD2Y	4.2	Diffuse	275	2700	80
CJAMAICD2W	4.2	Diffuse	295	3000	80
CJAMAICD3A	6.3	Diffuse	295	Amber	/
CJAMAICD3Y	6.3	Diffuse	410	2700	80
CJAMAICD3W	6.3	Diffuse	440	3000	80

+ Finishing codes

Code	Description
BL	Natural brown liquid painting
CL	Custom colour liquid painting

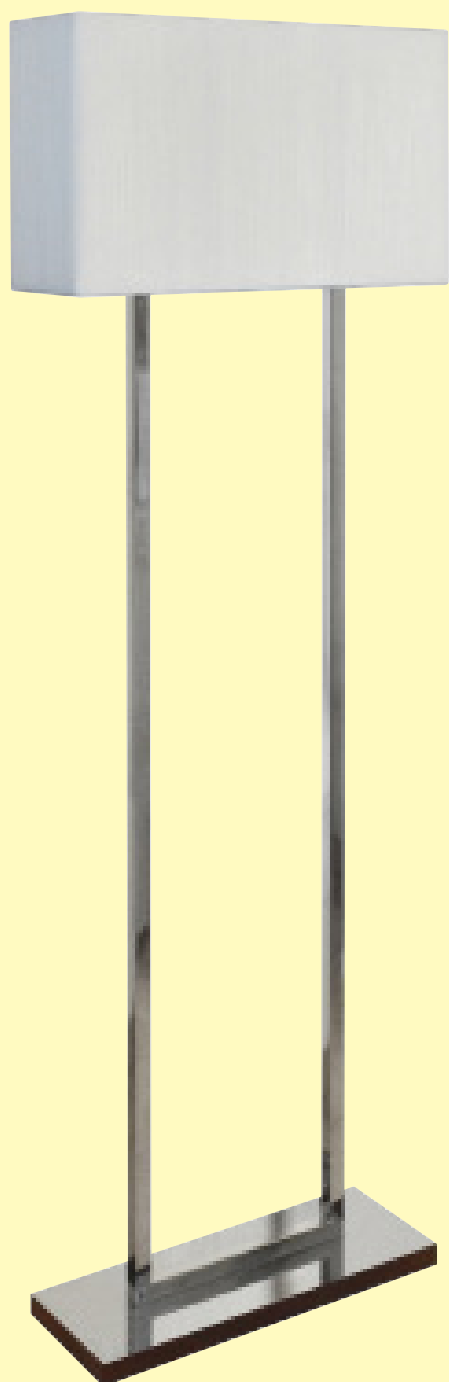
+ Power supply codes

Code	Power supply type
ST0700	Standard - 24V
DIM0700	DIM1-10 - 24V

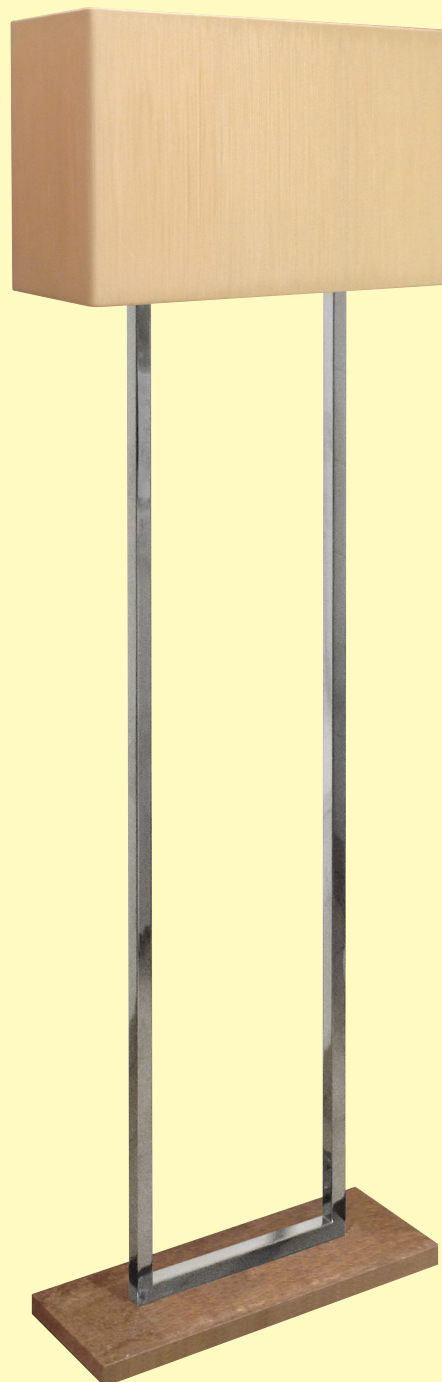


MIAMI FLOOR

CE IP20 CLI 



Miami Floor Wood



Miami Floor Marble

MIAMI FLOOR



Installation

Floor decorative luminaire for residential, hospitality and retail installation.
Available in a wide range of colour and also material.

Technical description

The base of the luminaire can be made with wood covered on the upper side with a chrome finished brass plate mirror polished or it can be made with a selected and machined Carrara marble.

Main structure made with brass tubes with the same chrome finish.

Lampshade made of organza or linen fabric.

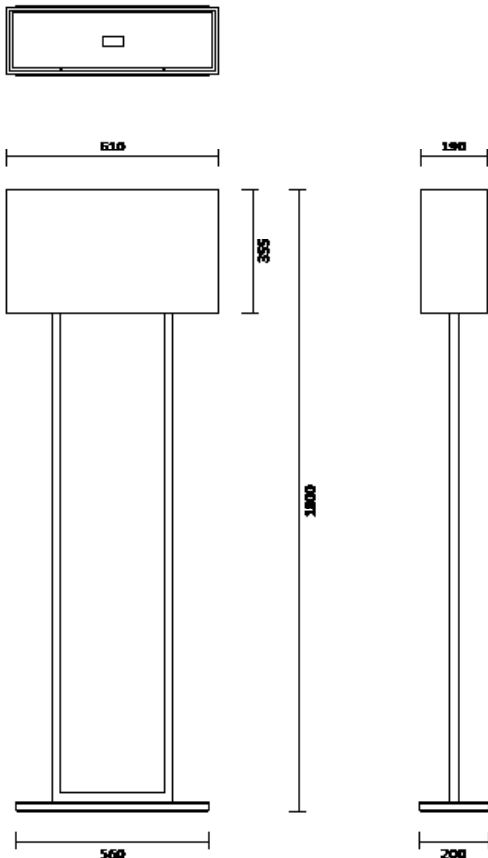
Top cover made of opal polycarbonate or glass.

Electrical Features

Double E27 lampholder.

Class I luminaire.

Source type	2 x LED bulb
Luminaire wattage	2 x max 11W
Colour temperature	2700K
CRI	80
Beam	Diffuse
Input	220-240V 50/60 Hz
Protection class	CLI
IP rating	IP20
Weight	13 kg (wood)
Dimensions	h 1800 x l 610 x d 200



Product codes

Code	W	Optic	K	CRI
CMIAMIFS1Y	2 x Max 11	Diffuse	2700	80

+ Finishing codes - base

Code	Description
WB	Base made of wood
MB	Base made of marble
CB	Custom made base

+ Finishing codes - lamp shade

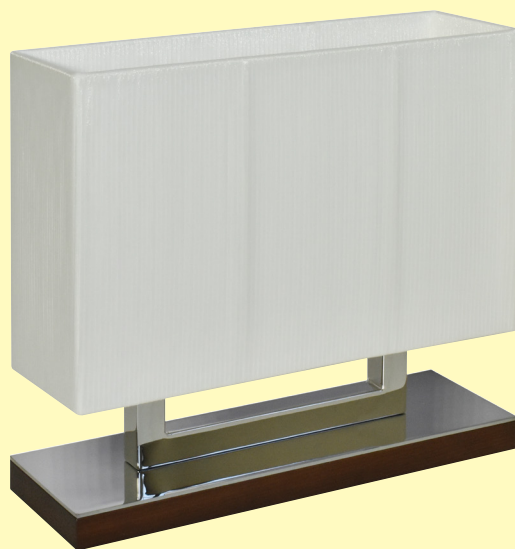
Code	Description
WO	White organza shade
BO	Brown organza shade
CS	Custom made shade

+ Power supply codes

Code	Power Supply Type
DIR220	Direct feeding - 220-240V

MIAMI TABLE

CE IP20 CLI F



Miami Table Wood



Miami Table Marble

MIAMI TABLE

CE IP20 CLI 

Installation

Floor decorative luminaire for residential, hospitality and retail installation.

Available in a wide range of colour and also material.

Technical description

The base of the luminaire can be made with a wood covered on the upper side with a chrome finished brass plate mirror polished or it can be made with a selected and machined Carrara marble.

Main structure made with brass tubes with the same chrome finish.

Lampshade made of organza or linen fabric.

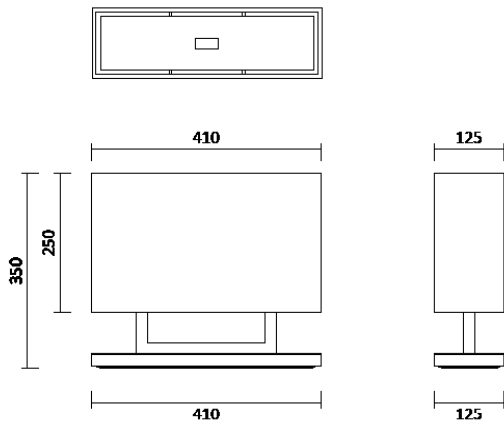
Top cover made of opal polycarbonate or glass.

Electrical Features

Double E27 lampholder.

Class I luminaire.

Source type	2 x LED bulb
Luminaire wattage	2 x max 11W
Colour temperature	2700K
CRI	80
Beam	Diffuse
Input	220-240V 50/60 Hz
Protection class	CLI
IP rating	IP20
Weight	3 kg (wood)
Dimensions	h 350 x l 410 x d 125



Product codes

Code	W	Optic	K	CRI
CMIAMITS1Y	2 x Max 11	Diffuse	2700	80

+ Finishing codes - base

Code	Description
WB	Base made of wood
MB	Base made of marble
CB	Custom made base

+ Finishing codes - lamp shade

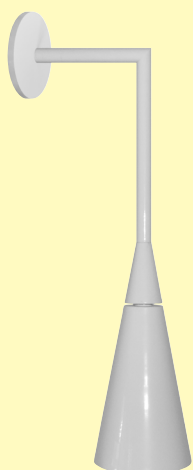
Code	Description
WO	White organza shade
BO	Brown organza shade
CS	Custom made shade

+ Power supply codes

Code	Power Supply Type
DIR220	Direct feeding - 220-240V

CONE WALL/CEILING/ FLOOR

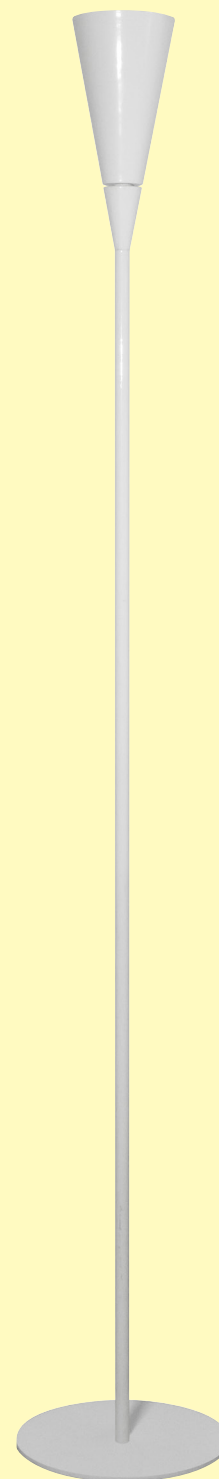
CE IP20 CLI 



Cone Wall



Cone Ceiling



Cone Floor

Installation

Range of decorative luminaires for floor/wall/ceiling installation with a modern design and LED source.

Technical description

Conical part made of turned aluminum and painted with polyester powder. Base and stem, straight of L shaped, made of steel with same finish of the cone.

For ceiling version a satin glass diffuser provide a smooth and low glaring diffuse lighting.

Led PCB, that can be provided with a specific optics, is housed in the cone element and provided with suitable heat sink made of anodized aluminum.

High quality LED.

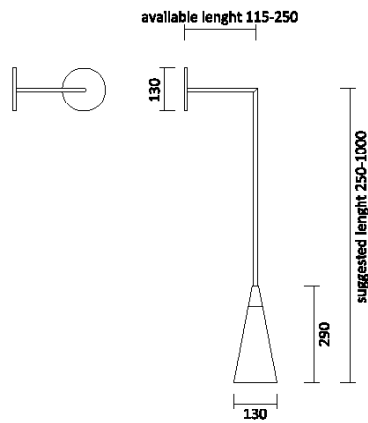
Electrical Features

Power supply integrated.

Class I luminaire.

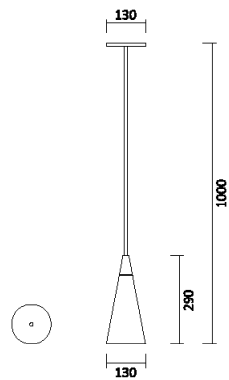
Source Type	Mid-power LED
Luminaire wattage	11.5W - other power avail.
Colour temperature	2700K - 3000K - 4000K
CRI	80 - on request 90
Beam	Diffuse
Driver	Integrated on the PCB
Input	220-240V 50/60Hz
Protection class	CLI
IP rating	IP20
Weight	8/11/14 kg
Dimensions Cone Wall	h 1065 x l 130 x d 315
Dimensions Cone Ceiling	Ø 130 x h 1000
Dimensions Cone Floor	Ø 1950 x h 300

CONE WALL/CEILING/ FLOOR



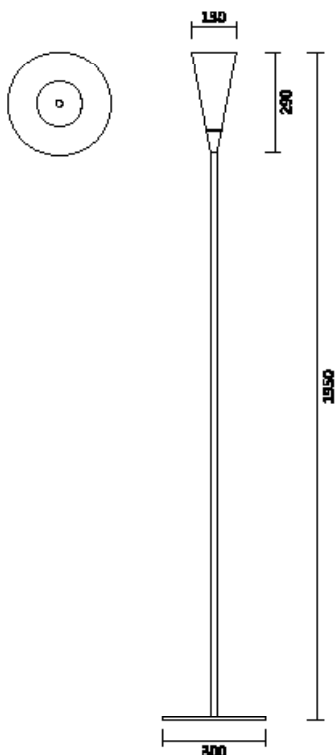
Product Codes - Cone Wall

Code	W	Optic	Lm	K	CRI
CCONEW111Y	11.5	Diffuse	970	2700	80
CCONEW111W	11.5	Diffuse	1030	3000	80
CCONEW111N	11.5	Diffuse	1095	4000	80



Product Codes - Cone Ceiling

Code	W	Optic	Lm	K	CRI
CCONEW111Y	11.5	Diffuse	970	2700	80
CCONEW111W	11.5	Diffuse	1030	3000	80
CCONEW111N	11.5	Diffuse	1095	4000	80



Product Codes - Cone Floor

Code	W	Optic	Lm	K	CRI
CCONEW111Y	11.5	Diffuse	970	2700	80
CCONEW111W	11.5	Diffuse	1030	3000	80
CCONEW111N	11.5	Diffuse	1095	4000	80

+ Finishing codes

Code	Description
WP	Matt white powder painted
BP	Matt black powder painted
CP	Custom colour powder painted

+ Power supply codes

Code	Power supply type
ST0220	Standard - 220V
DIO220	DIM1-10 - 220V

NEWS 2022/2023

MORE RECENT CONTRACT PROJECT

NEWS 2022/2023



Lego Hotel Dubai - Decorative and architectural lighting

NEWS 2022/2023



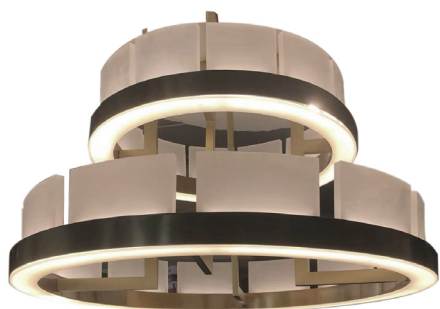
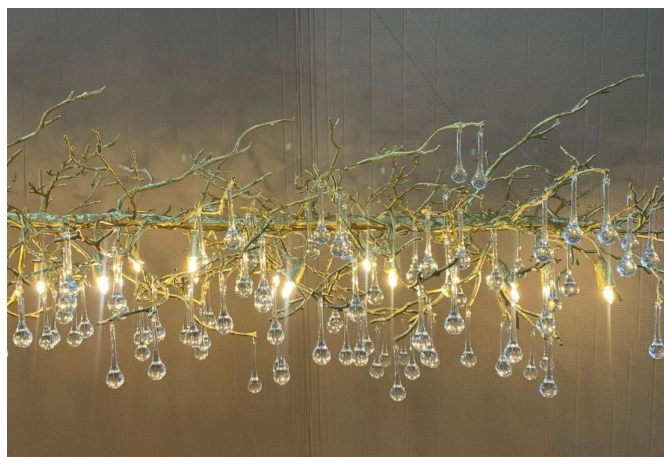
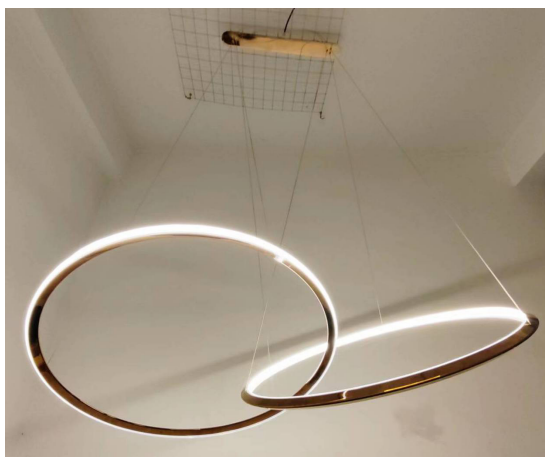
Mille foglie - 5m X 3m - Suspension

NEWS 2022/2023



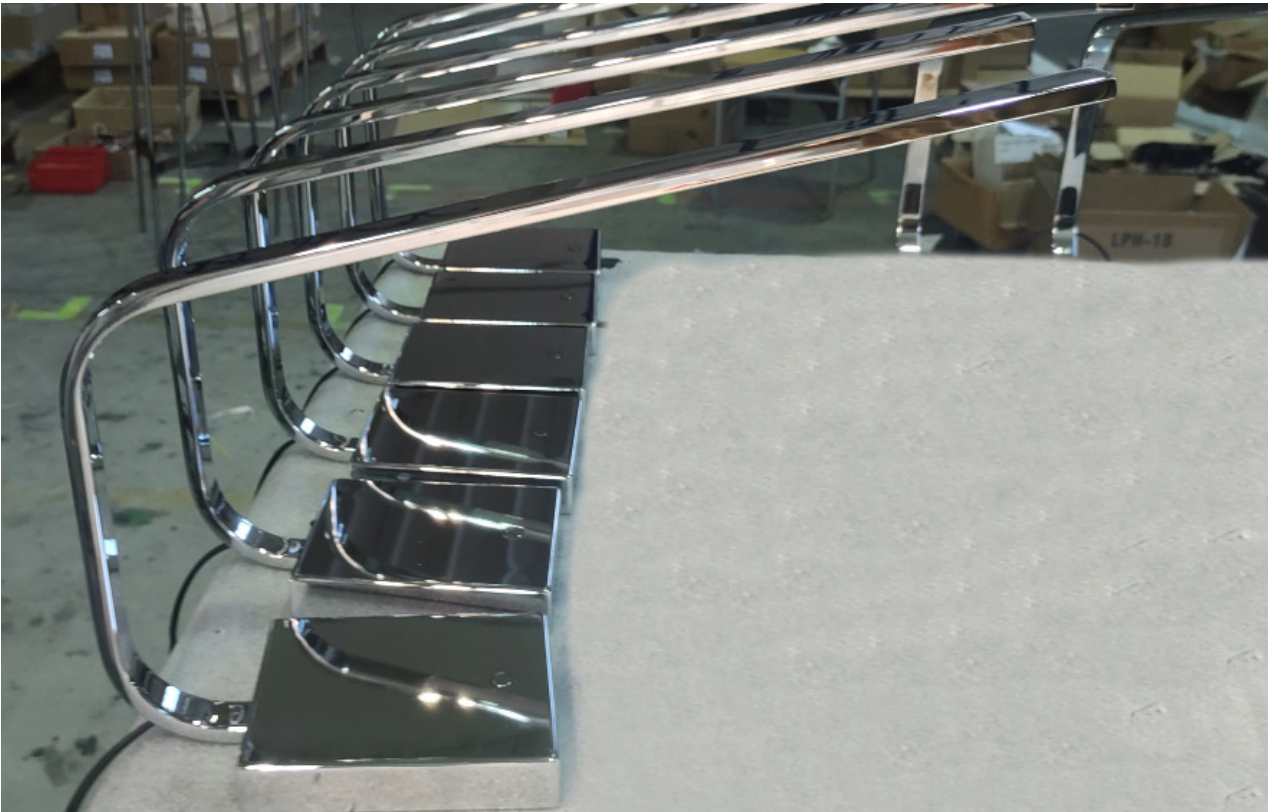
Threedle - Suspension

NEWS 2022/2023



Mille flute and other chandelier - Suspension

NEWS 2022/2023



Flower chandelier and Cricket Table lamp

NEWS 2022/2023



Biagio - single pole

NEWS 2022/2023



Biagio - double pole

NEWS 2022/2023



STING - AI ZAHIA - UAE

NEWS 2022/2023



Biagio - wall bracket

NEWS 2022/2023



Midnigt - bollard

NEWS 2022/2023



Mushroom - bollard

NEWS 2022/2023



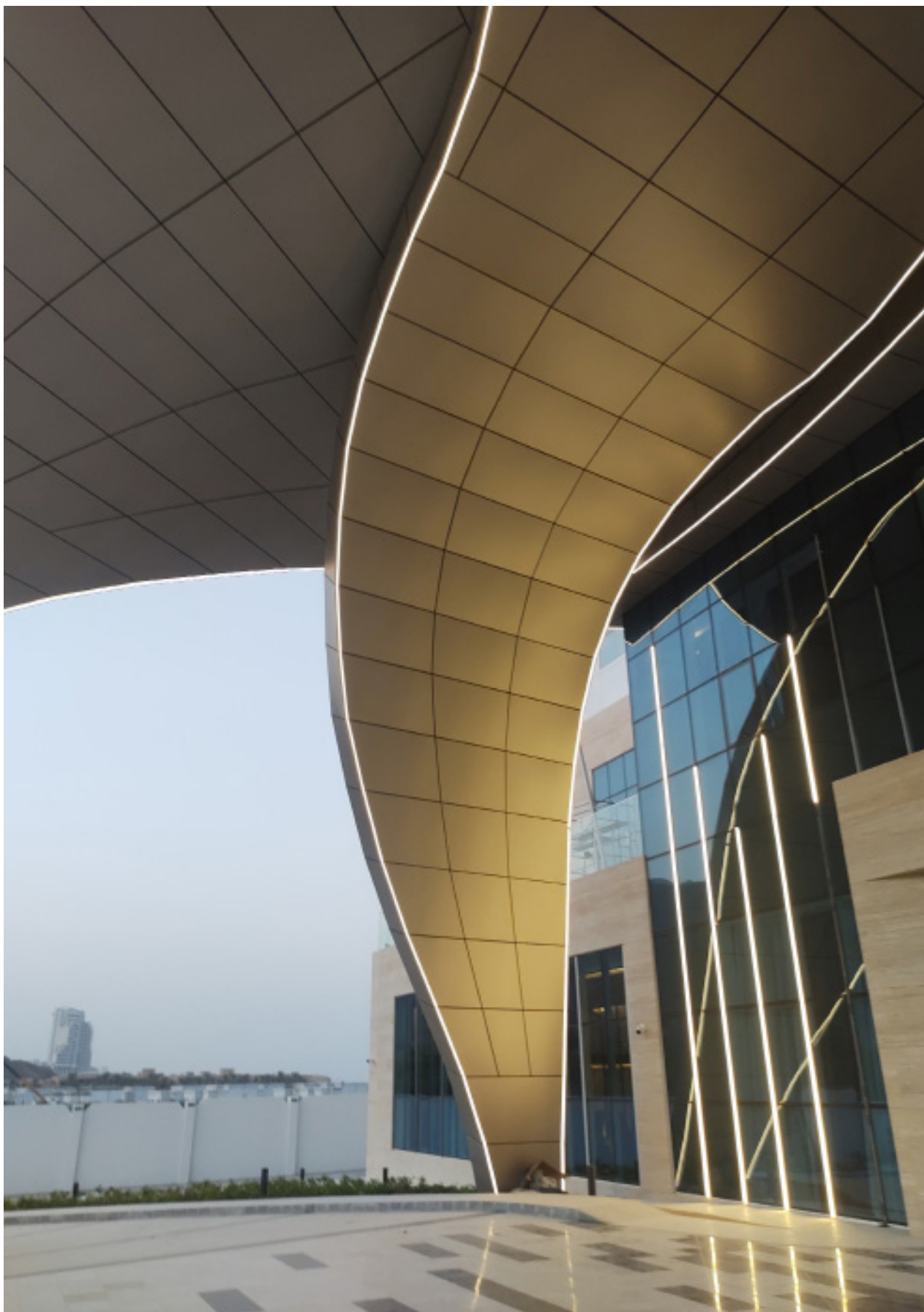
Knife - suspension

NEWS 2022/2023



Ray-4 - wall light

NEWS 2022/2023



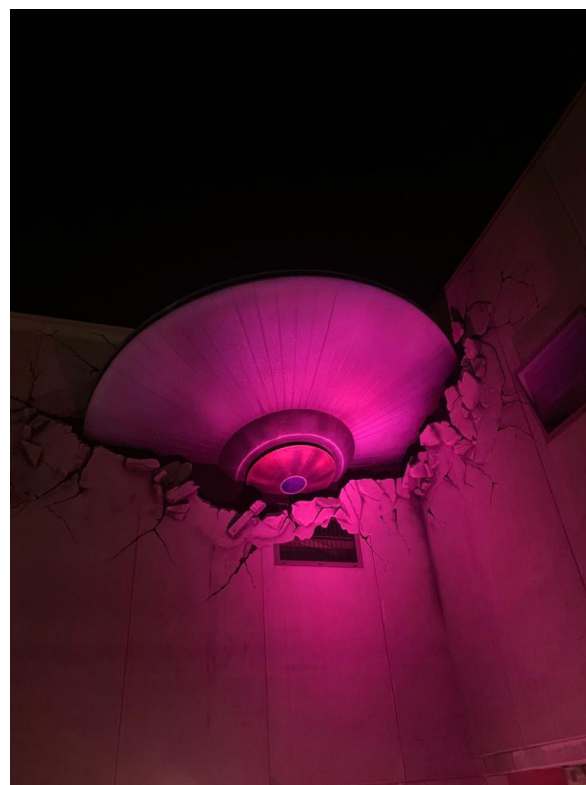
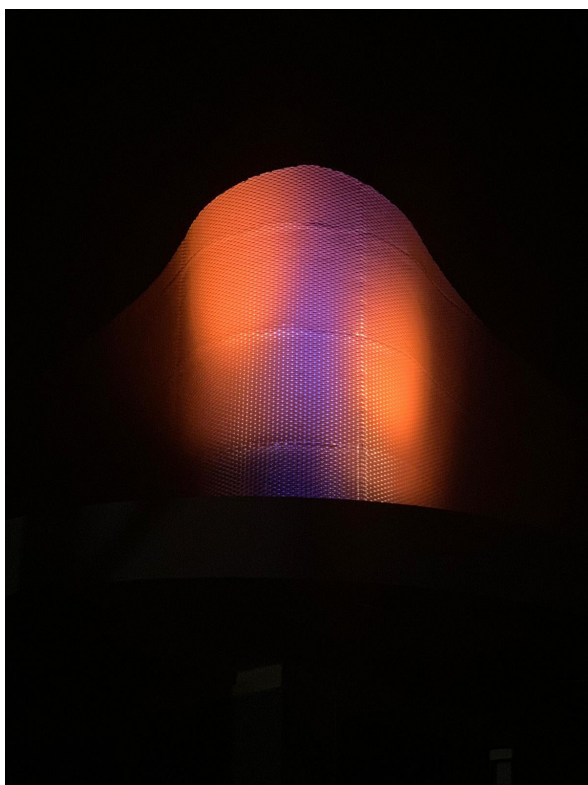
Fast Flex - Flexible linear cast resined

NEWS 2022/2023



Fast 98 - Rigid linear cast resined

NEWS 2022/2023



Mall in Rome - Italy

NEWS 2022/2023



Historical building in Sicily - Italy