

P200

CE IP66 CLIII/I **Installation**

Surface mounted projector, for outdoor and architectural installation.

The luminaire can be equipped with a power supply compartment on the back of the projector body.

Technical description

Body and front ring made of machined aluminum, black or natural anodized or painted with polyester powder. Bracket made of laser cutted stainless steel. Finished as the body.

Electrical features

Class I/II/III device upon selected version.
Remote or integrated power supply.

Protection class

CL I/II/III

IP rating

IP66

Driver

Remoted / Integrated

Weight

2 kg

Dimension

Ø 200 x 240 x h 64

FLOOD TYPE**Source type**

Power LED

Luminaire wattage

52W - 68W

Colour temperature

2700K - 3000K - 4000K - 5000K

CRI

90

Beam

10° - 20° - 30° - 45° - 65° - 15°X40°

Input current

Max 900 mA

WALL WASHER & OPAL TYPE**Source type**

COB LED

Luminaire wattage

54W

Colour temperature

2700K - 3000K - 4000K - 5000K

CRI

90

Beam

Wall Washer - Diffusing

Input current

Max 1400 mA

COLOUR CHANGING TYPE**Source type**

Power LED

Luminaire wattage

54W - 72W

Colours

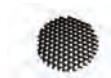
RGBW - RGBA - DINW - DINWW

Beam

10° - 20° - 35° - 65° - 15°X40°

Input current

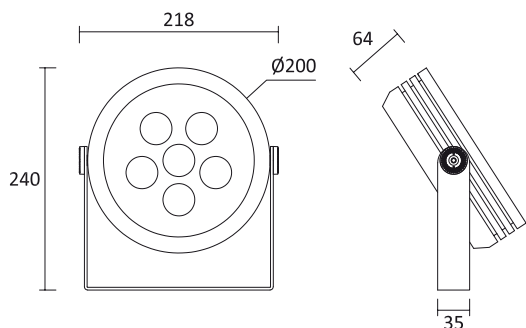
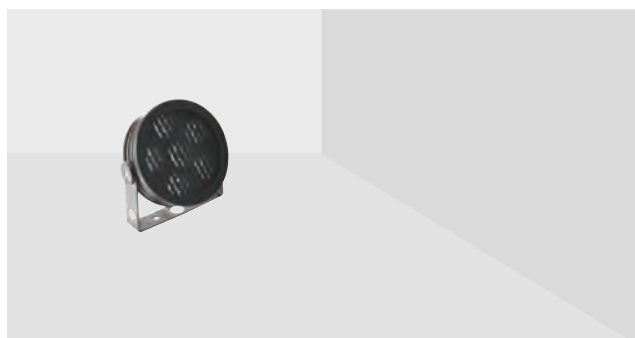
Max 900 mA

**AP1500A01 - Antiglare**

Antiglare system made of aluminum black painted.

P200 Flood 52W

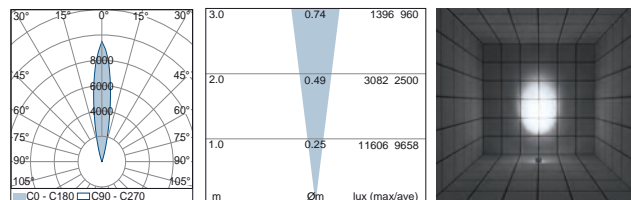
CE IP66 CLIII/I F



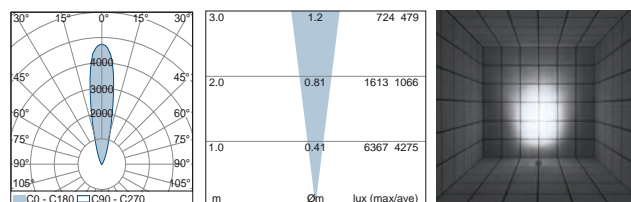
Product codes

Code	W	Optic	Lm	K	CRI
AP200BS41Y	52	10°	4270	2700	90
AP200BS41W	52	10°	4540	3000	90
AP200BS41N	52	10°	4830	4000	90
AP200BS41C	52	10°	4960	5000	90
AP200BS42Y	52	20°	4270	2700	90
AP200BS42W	52	20°	4540	3000	90
AP200BS42N	52	20°	4830	4000	90
AP200BS42C	52	20°	4960	5000	90
AP200BS43Y	52	30°	4225	2700	90
AP200BS43W	52	30°	4490	3000	90
AP200BS43N	52	30°	4780	4000	90
AP200BS43C	52	30°	4905	5000	90
AP200BS44Y	52	45°	3760	2700	90
AP200BS44W	52	45°	3995	3000	90
AP200BS44N	52	45°	4250	4000	90
AP200BS44C	52	45°	4360	5000	90
AP200BS45Y	52	65°	3720	2700	90
AP200BS45W	52	65°	3950	3000	90
AP200BS45N	52	65°	4205	4000	90
AP200BS45C	52	65°	4315	5000	90
AP200BS48Y	52	15°X40°	3490	2700	90
AP200BS48W	52	15°X40°	3710	3000	90
AP200BS48N	52	15°X40°	3950	4000	90
AP200BS48C	52	15°X40°	4055	5000	90

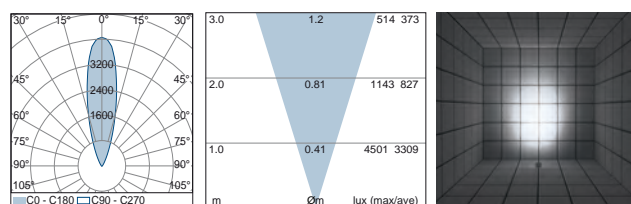
10° 52W



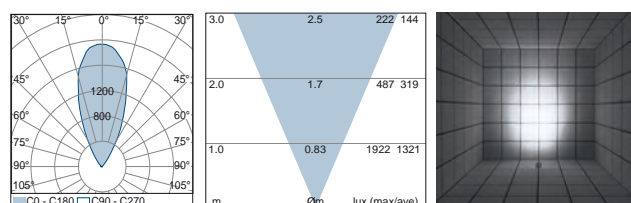
20° 52W



26° 52W



45° 52W



+ Driver box codes

Code	STD	BOX
Description		
	Remote driver	Driver integrated in rear box

+ Finishing codes

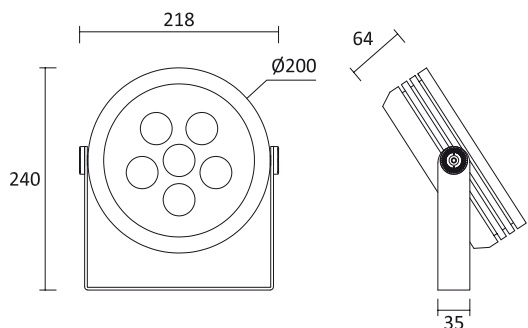
Code	Description
NA	Natural anodized aluminum
BA	Black anodized aluminum
GP	Grey RAL9006 powder painted
SP	Sable noir powder painted
WP	White powder painted

+ Power supply codes

Code	Power supply type
ST0700	Standard - 700 mA
DI0700	DIM1-10 - 700 mA
DA0700	DIM DALI - 700 mA

P200 Flood 68W

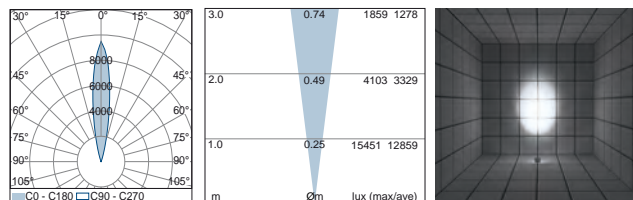
CE IP66 CLIII/I



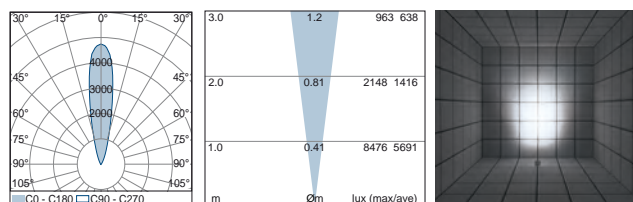
Product codes

Code	W	Optic	Lm	K	CRI
AP200BS51Y	68	10°	5240	2700	90
AP200BS51W	68	10°	5565	3000	90
AP200BS51N	68	10°	5920	4000	90
AP200BS51C	68	10°	6135	5000	90
AP200BS52Y	68	20°	5240	2700	90
AP200BS52W	68	20°	5565	3000	90
AP200BS52N	68	20°	5920	4000	90
AP200BS52C	68	20°	6135	5000	90
AP200BS53Y	68	30°	5180	2700	90
AP200BS53W	68	30°	5505	3000	90
AP200BS53N	68	30°	5855	4000	90
AP200BS53C	68	30°	6065	5000	90
AP200BS54Y	68	45°	4610	2700	90
AP200BS54W	68	45°	4895	3000	90
AP200BS54N	68	45°	5210	4000	90
AP200BS54C	68	45°	5395	5000	90
AP200BS55Y	68	65°	4560	2700	90
AP200BS55W	68	65°	4845	3000	90
AP200BS55N	68	65°	5155	4000	90
AP200BS55C	68	65°	5340	5000	90
AP200BS58Y	68	15°X40°	4285	2700	90
AP200BS58W	68	15°X40°	4550	3000	90
AP200BS58N	68	15°X40°	4840	4000	90
AP200BS58C	68	15°X40°	5015	5000	90

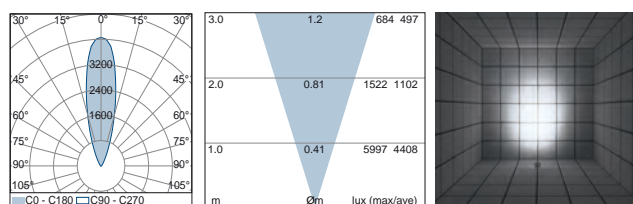
10° 68W



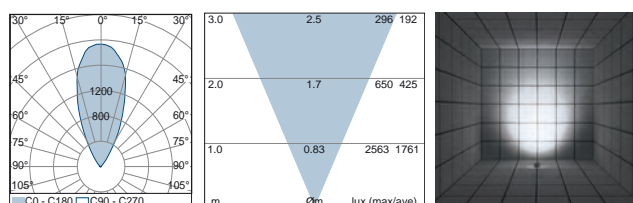
20° 68W



26° 68W



45° 68W



+ Driver box codes

Code	STD	BOX
Description		
	Remote driver	Driver integrated in rear box

+ Finishing codes

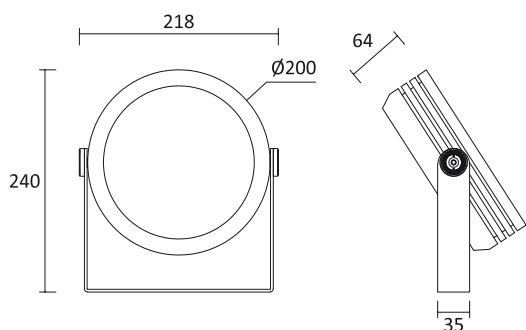
Code	Description
NA	Natural anodized aluminum
BA	Black anodized aluminum
GP	Grey RAL9006 powder painted
SP	Sable noir powder painted
WP	White powder painted

+ Power supply codes

Code	Power supply type
ST0900	Standard - 900 mA
DI0900	DIM1-10 - 900 mA
DA0900	DIM DALI - 900 mA

P200 Wall washer & opal 54W

CE IP66 CLIII/I F



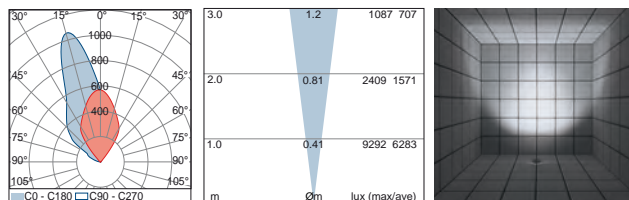
Product codes

Code	W	Optic	Lm	K	CRI
AP200BS46Y	54	WALL WASHER	6190	2700	90
AP200BS46W	54	WALL WASHER	6580	3000	90
AP200BS46N	54	WALL WASHER	6745	4000	90
AP200BS46C	54	WALL WASHER	6725	5000	90
AP200BS47Y	54	OPAL	3625	2700	90
AP200BS47W	54	OPAL	3855	3000	90
AP200BS47N	54	OPAL	3950	4000	90
AP200BS47C	54	OPAL	3940	5000	90

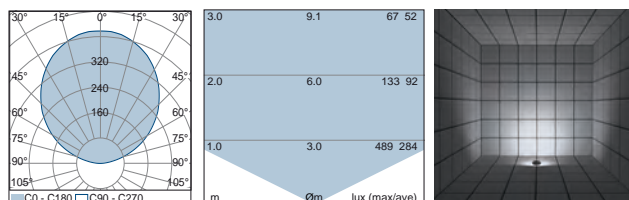
+ Driver box code

Code	STD	BOX
Description		
	Remote driver	Driver integrated in rear box

WALL WASHER 54W



OPAL 54W



+ Finishing codes

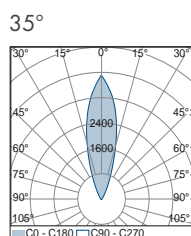
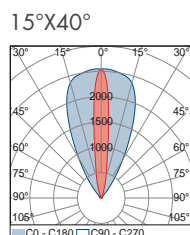
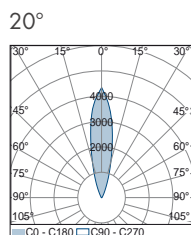
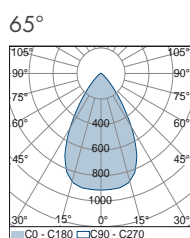
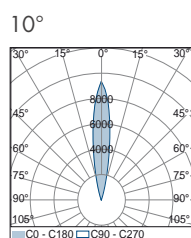
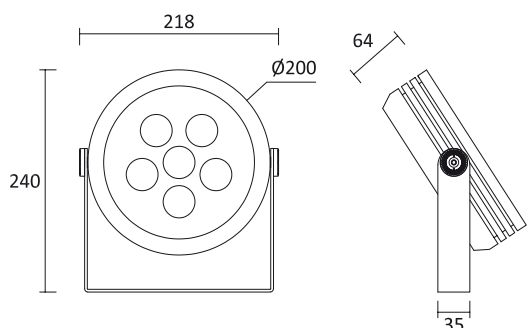
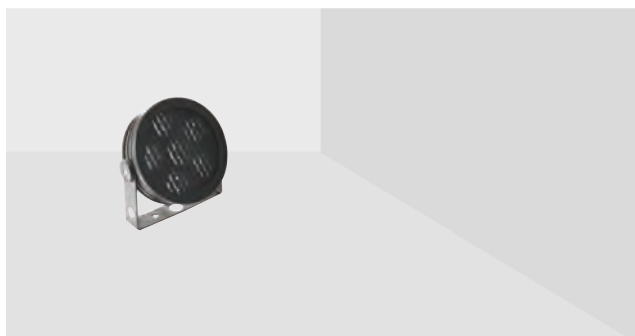
Code	Description
NA	Natural anodized aluminum
BA	Black anodized aluminum
GP	Grey RAL9006 powder painted
SP	Sable noir powder painted
WP	White powder painted

+ Power supply codes

Code	Power supply type
ST01400	Standard - 1400 mA
DIO1400	DIM1-10 - 1400 mA
DA01400	DIM DALI - 1400 mA

P200 Colour 54W

CE IP66 CLIII/I 



Product codes

Code	W	Optics	Lm	Colour
RGBW				
AP200BS31R	54	10°	2910	RGBW
AP200BS32R	54	20°	2885	RGBW
AP200BS33R	54	35°	2565	RGBW
AP200BS33R	54	65°	2565	RGBW
AP200BS33R	54	15°X4°	2760	RGBW

Code	W	Optics	Lm	Colour
RGBA				
AP200BS31A	54	10°	2405	RGBA
AP200BS32A	54	20°	2380	RGBA
AP200BS33A	54	35°	2120	RGBA
AP200BS33A	54	65°	2120	RGBA
AP200BS33A	54	15°X40°	2280	RGBA

Code	W	Optics	Lm	Colour
Dynamic warm white				
AP200BS31Z	57	10°	3460	DIN WARM W 2200-3000
AP200BS32Z	57	20°	3420	DIN WARM W 2200-3000
AP200BS33Z	57	35°	3050	DIN WARM W 2200-3000
AP200BS33Z	57	65°	3050	DIN WARM W 2200-3000
AP200BS33Z	57	15°X40°	3270	DIN WARM W 2200-3000

Code	W	Optics	Lm	Colour
Dynamic white				
AP200BS31D	57	10°	4170	DIN WHITE 2700-6500
AP200BS32D	57	20°	4130	DIN WHITE 2700-6500
AP200BS33D	57	35°	3680	DIN WHITE 2700-6500
AP200BS33D	57	65°	3680	DIN WHITE 2700-6500
AP200BS33D	57	15°X40°	3950	DIN WHITE 2700-6500

+ Driver box codes

Code	STD	BOX
Description		
	Remote driver	Driver integrated in rear box

+ Finishing codes

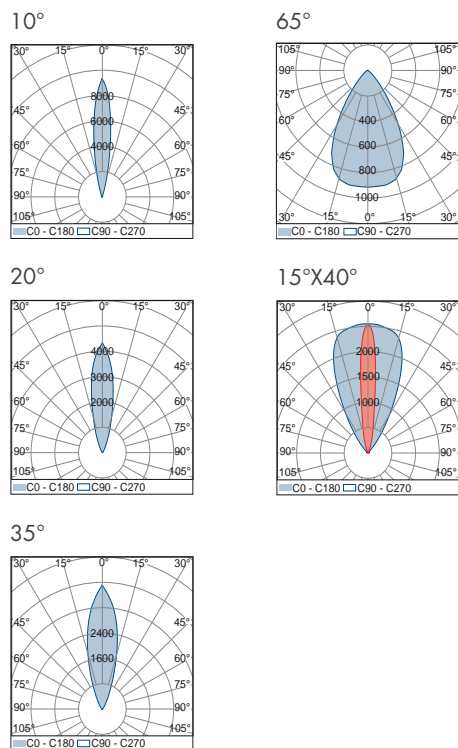
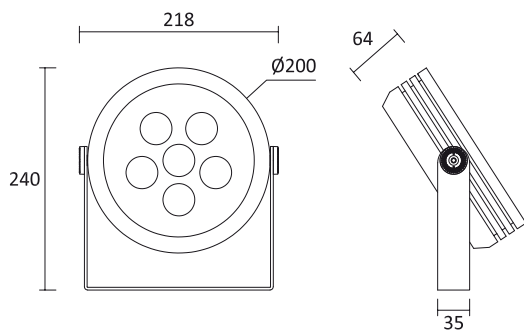
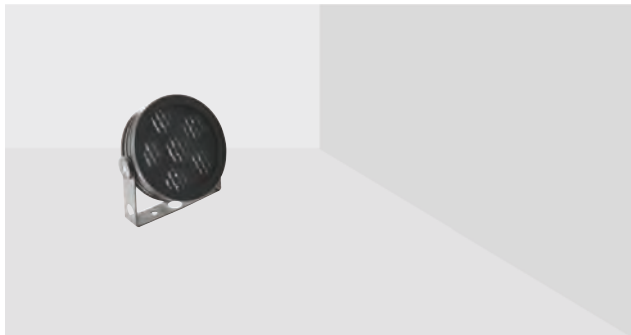
Code	Description
NA	Natural anodized aluminum
BA	Black anodized aluminum
GP	Grey RAL9006 powder painted
SP	Sable noir powder painted
WP	White powder painted

+ Power supply codes

Code	Power supply type
DX700	DMX 700 mA

P200 Colour 72W

CE IP66 CLIII/I F



Product codes


Code	W	Optics	Lm	Colour
RGBW				
AP200BS41R	72	10°	3405	RGBW
AP200BS42R	72	20°	3370	RGBW
AP200BS43R	72	35°	3005	RGBW
AP200BS43R	72	65°	3005	RGBW
AP200BS43R	72	15°x4°	3225	RGBW

RGBA				
AP200BS41A	72	10°	2800	RGBA
AP200BS42A	72	20°	2770	RGBA
AP200BS43A	72	35°	2470	RGBA
AP200BS43A	72	65°	2470	RGBA
AP200BS43A	72	15°x40°	2650	RGBA

Dynamic warm white				
AP200BS41Z	76	10°	4070	DIN WARM W 2200-3000
AP200BS42Z	76	20°	4020	DIN WARM W 2200-3000
AP200BS43Z	76	35°	3580	DIN WARM W2200-3000
AP200BS43Z	76	65°	3580	DIN WARM W2200-3000
AP200BS43Z	76	15°x40°	3850	DIN WARM W2200-3000

Dynamic white				
AP200BS41D	76	10°	4920	DIN WHITE 2700-6500
AP200BS42D	76	20°	4860	DIN WHITE 2700-6500
AP200BS43D	76	35°	4330	DIN WHITE 2700-6500
AP200BS43D	76	65°	4330	DIN WHITE 2700-6500
AP200BS43D	76	15°x40°	4660	DIN WHITE 2700-6500

+ Driver box codes

Code	STD	BOX
Description		
	Remote driver	Driver integrated in rear box

+ Finishing codes

Code	Description
NA	Natural anodized aluminum
BA	Black anodized aluminum
GP	Grey RAL9006 powder painted
SP	Sable noir powder painted
WP	White powder painted

+ Power supply codes

Code	Power supply type
DX900	DMX 900 mA